

SPECIFICATIONS

SIRIUS™ SINGLE HANDLE VESSEL LAVATORY FAUCET

Model

D201544 (Replaces D201044 series)

Description

- Ceramic disc valve
- 13" high swivel spout, 5 1/2" spout length
- Natural water stream
- Metal grid strainer drain with cover for vessels with or without overflow
- Single hole mount

Standards



Certified to NSF/ANSI 61 Section 9

- NSF 61-9
- Energy Policy Act of 1992



NSF/ANSI 372

- ASME A112.18.1M/A112.18.1
- NSF/ANSI 372
- CSA B125.1

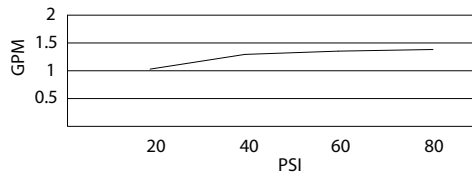


- ADA Accessibility Guidelines for Buildings and Facilities - 4.27.4 Controls and Mechanisms

Warranty

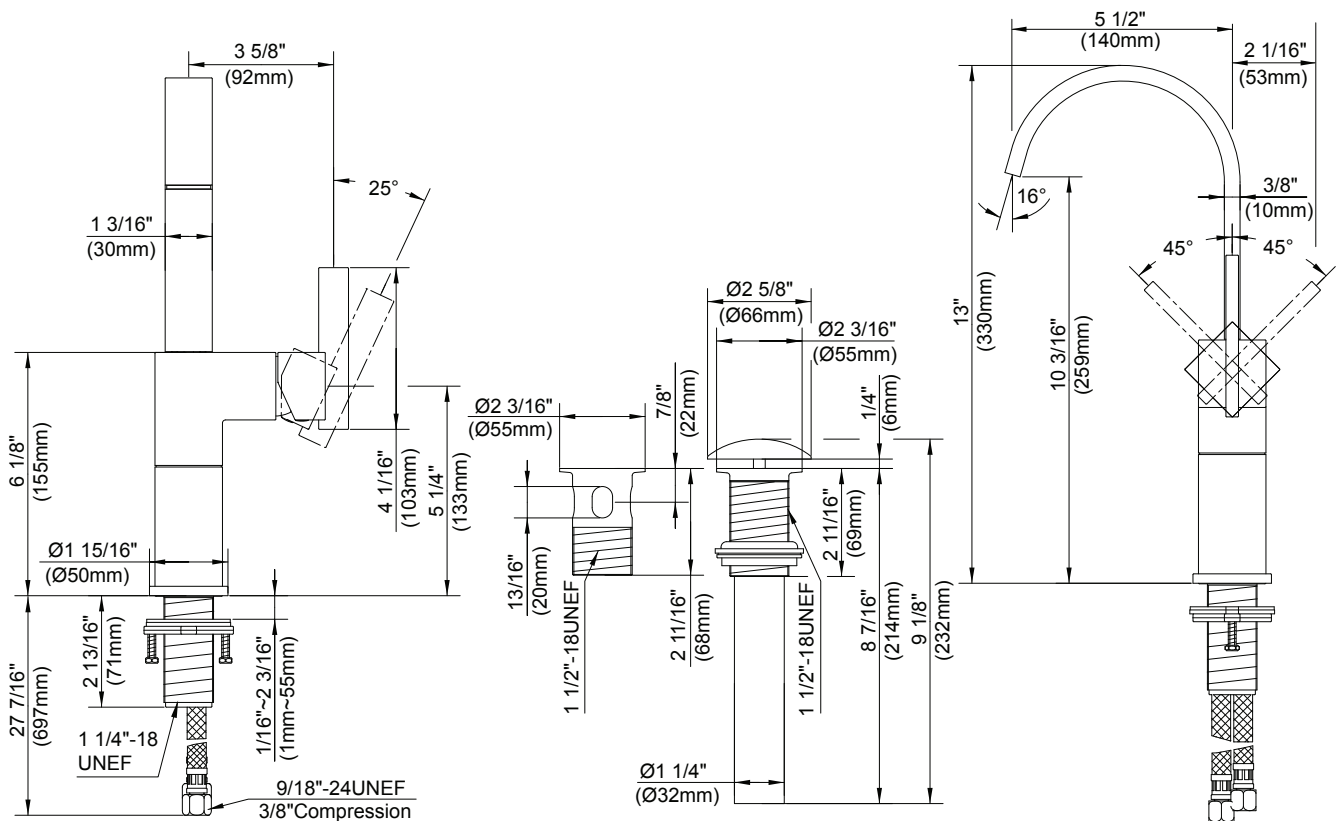
Danze products are covered by a manufacturer's limited "lifetime" warranty for manufacturing defects.

Flow Rate



Finishes Available

- Chrome
- Other: Refer to Price List for additional finish



Submittal Information:

Job Name: _____
 Contractor: _____

Location: _____
 Contact #: _____