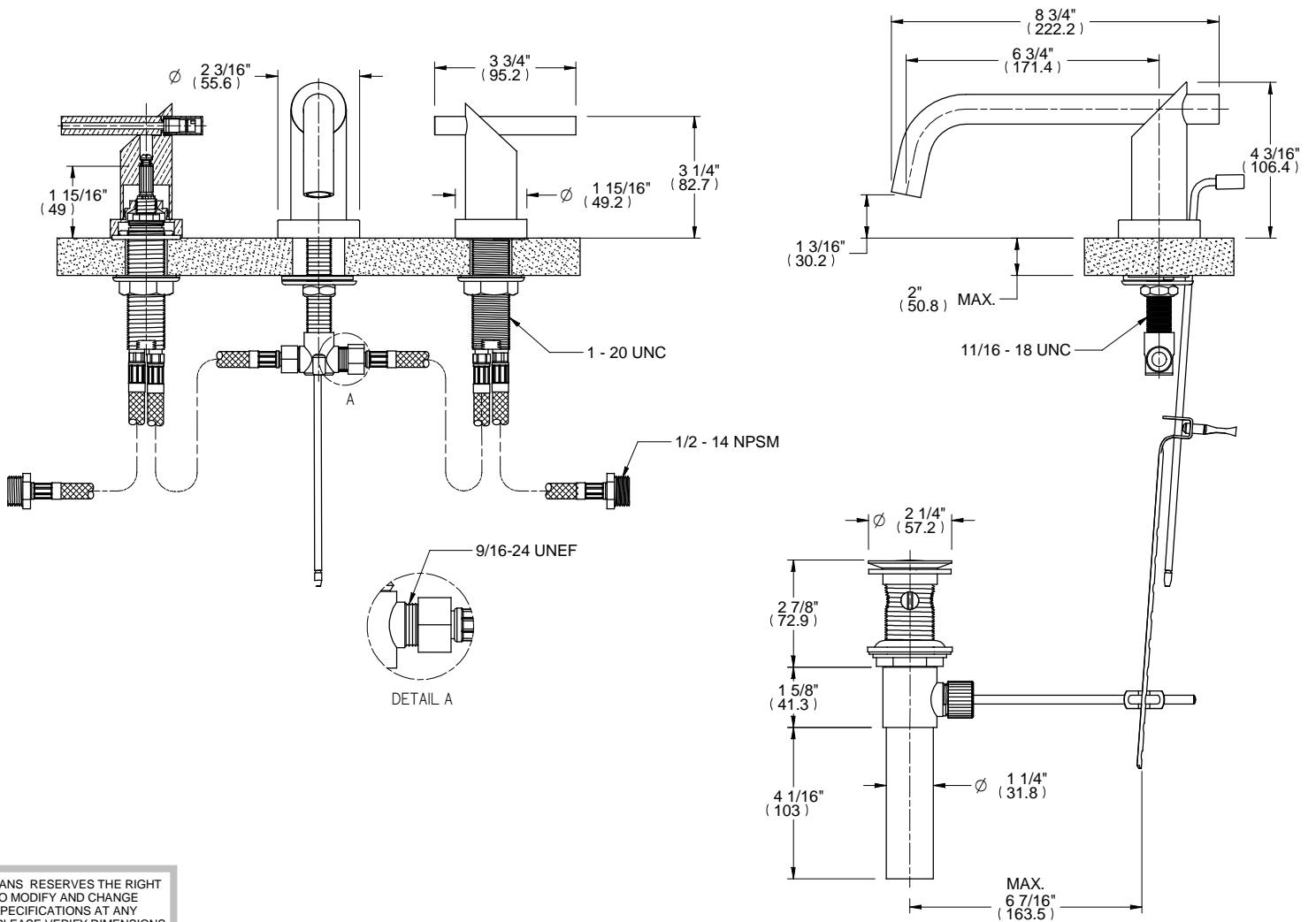


L1



ALTMANS RESERVES THE RIGHT TO MODIFY AND CHANGE SPECIFICATIONS AT ANY TIME. PLEASE VERIFY DIMENSIONS PRIOR TO INSTALLATION.

- Features**
- Available in All Finishes
  - Low Lead Brass Construction
  - 1/4 Turn Ceramic Disc Cartridge

- Through-Hole Specifications**
- Spout:  $\varnothing 1 \frac{1}{4}''$  Max.
  - Valve:  $\varnothing 1 \frac{1}{4}''$  Max.

DIMENSIONS SHOWN TO NEAREST 1/16"