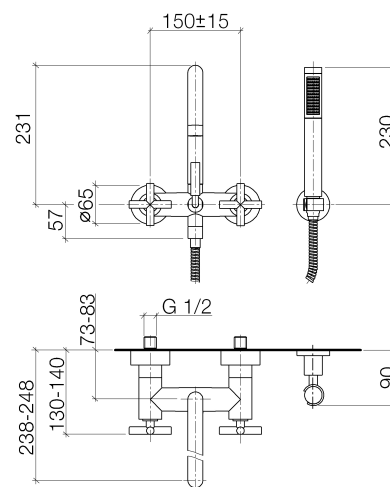




### Product specifications

- **9 1/2" projection**
  - M 22 x 1 aerator – female thread
  - Back flow preventer in shower outlet
  - 3/8" shower outlet
  - 1/2" ceramic disc cartridge
  - Diverter
  - Hand shower with descaling system and back flow preventer
  - 3/8" x 1/2" x 49 1/4" shower hose with rotating hose connector
  - Flanges  $\varnothing$  2 1/2"
  - 2" diameter flanges
  - Center to center 5 7/8"
  - Required adaptors (2 x 35 080 970-90 0010) to be ordered separately
  - Hand shower water flow rate limited to max. 2.5 gpm
- Combination with risers possible on request.  
Internal backflow preventer.

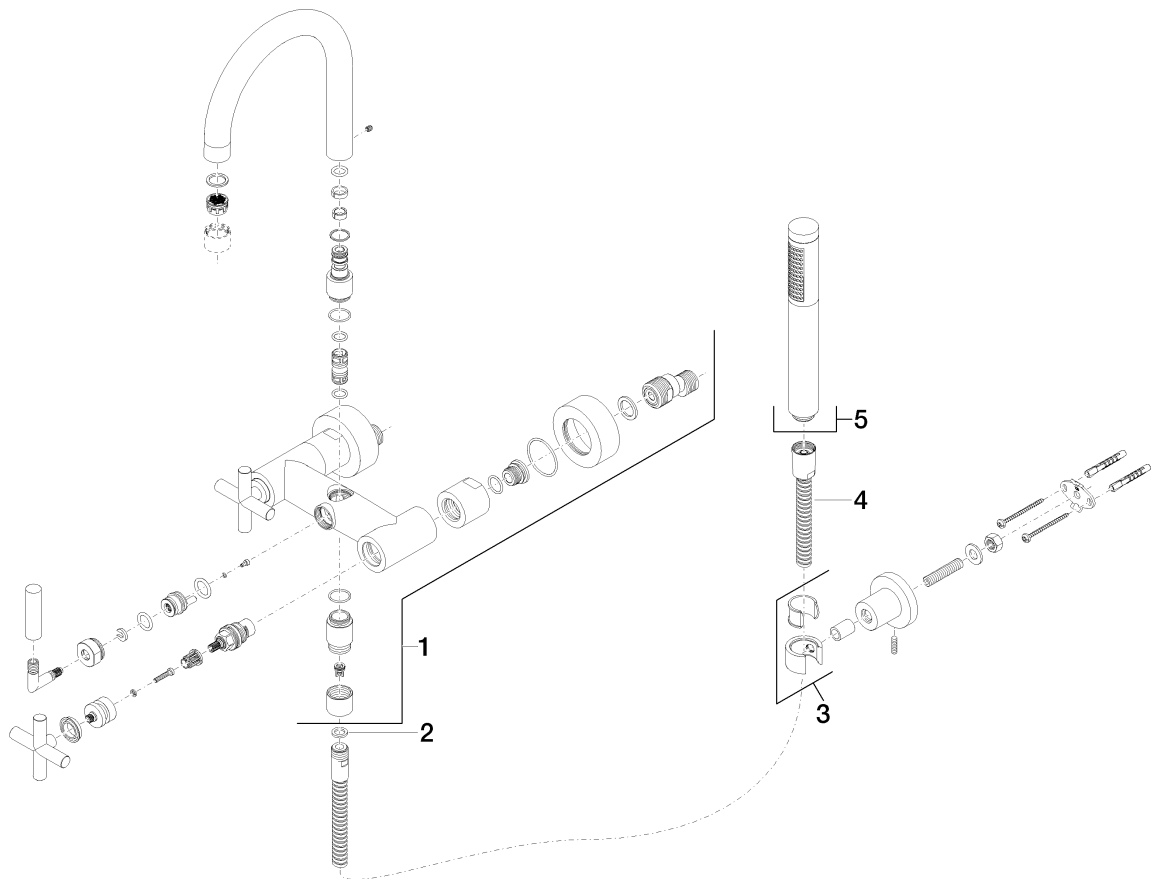




**Surfaces**

- chrome 25133892-00
- chrome 25133892-00
- matt platinum 25133892-06
- matt platinum 25133892-06
- platinum 25133892-08
- platinum 25133892-08
- matt white 25133892-10
- matt white 25133892-10
- matt black 25133892-33
- matt black 25133892-33

**Exploded assembly drawing**





**Order quantity**

<b>No.</b>	<b>Article number</b>	<b>Name</b>	<b>Installation quantity</b>
1	25100892ff	shower set	1
2	09142002690	seal	1
3	28050892ff	holder	1
4	093002072ff	hose	1
5	28010979ff0010	shower	1

