



### Product specifications

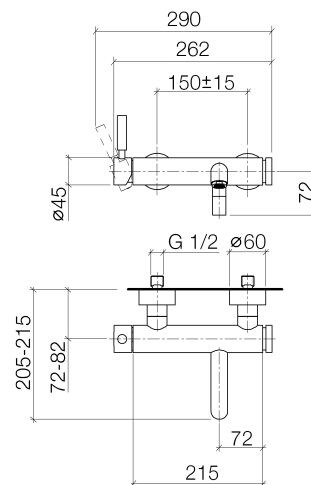
- **8 1/2" projection**
- M 24 x 1 aerator – male thread
- Back flow preventer in shower outlet
- **3/8" shower outlet**
- Automatic diverter
- Ceramic disc cartridge
- Flanges  $\varnothing$  2 3/8"
- Center to center 5 7/8"
- Concealed 1/2" x 3/4" US S-connectors

For shower hose with a 1/2" connection, please order adapter 12 202 979-FF

Only for combination with 26 403 625-FF / 26 402 625-FF / 27 805 625-FF / 27 806 625-FF

Internal backflow preventer.

**NOTE: Local building codes may require the use of an anti-scald device. Please refer to remote pressure balanced valve (35 910 970 90)**





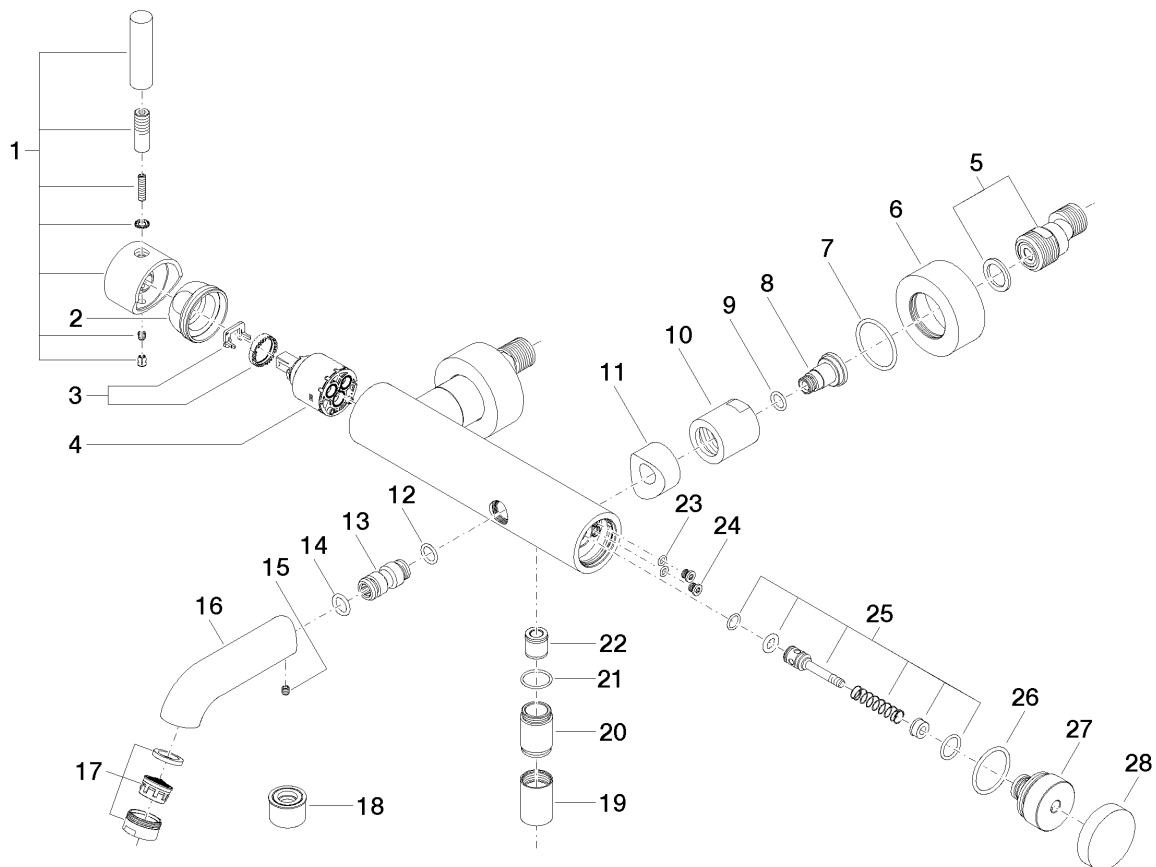
**Surfaces**

- chrome 33200625-00
- chrome 33200625-00
- matt platinum 33200625-06
- matt platinum 33200625-06

**Accessories required**

- Hand shower set; 26403625
- Hand shower set; 26403625
- Hand shower set; 26402625
- Hand shower set; 26402625

**Exploded assembly drawing**



**Order quantity**

<b>No.</b>	<b>Article number</b>	<b>Name</b>	<b>Installation quantity</b>
1	90206204000ff	handle	1
2	092404107ff	nut	1
3	0428101480090	accessories	1
4	09150506290	cartridge	1
5	0411040300090	connection	2
6	092762004ff	rosette	2
7	09141011990	seal	2
8	092905005ff	nipple	2
9	09141000890	seal	2
10	092310048ff	nut	2
11	091840059ff	sleeve	2
12	09141000390	seal	1
13	09240404390	nipple	1
14	09141001190	seal	1
15	09311103090	pin	1
16	091106064ff	spout	1
17	90230111800ff	aerator	1
18	0429030260090	insert	1
19	092102069ff	cover	1
20	092403115ff	nipple	1
21	09141003290	seal	1
22	09230104090	back-flow preventer	1
23	09141000190	seal	2
24	09303011390	screw	2
25	90310903200ff	diverter	1
26	09141010190	seal	1
27	092110035ff	nipple	1
28	092062031ff	handle	1