




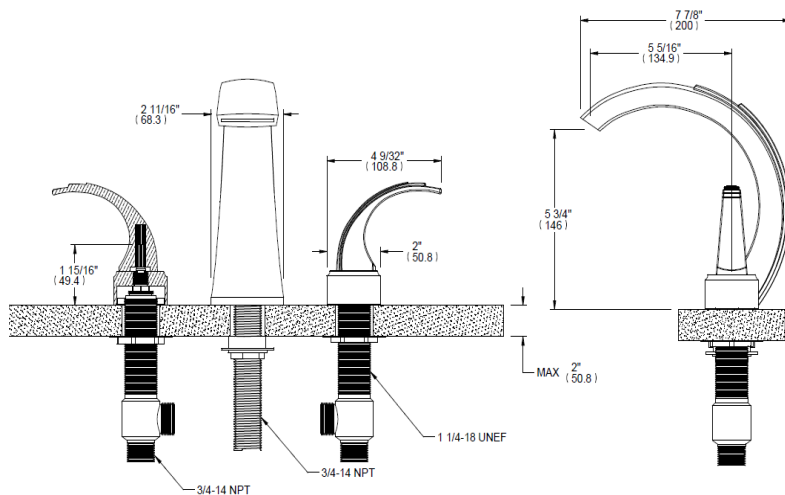
Codes and Standards

- ASME A112.18.1/CSA B125.1-11
- IAPMO US AND CANADA
- ADA  FOR LEVER HANDLES

WARRANTY

All Finishes are warranted from tarnishing flaking, Pitting, and discoloration, for as long as the original purchaser owns their home

ALTMANS RESERVES THE RIGHT TO MODIFY AND CHANGE SPECIFICATIONS AT ANY TIME. PLEASE VERIFY DIMENSIONS PRIOR TO INSTALLATION



Features and Benefits

- Brass Construction
- Handle trim Included
- 1/4 Turn Ceramic Disc Cartridges
- Valve OD11 Ordered Separately
- 12-14GPM @60PSI

Available Finishes:

- Chrome
- PVD Satin Nickel
- PVD Polished Nickel
- Oil Rubbed Bronze
- Pewter
- Polished Nickel
- Satin Nickel
- Mocha Bronze
- Antique Brass
- PVD Polished Brass
- Eternal Brass
- Antique Gold
- PVD Satin Gold
- German Bronze
- Distressed Iron
- PVD Polished Gold