

ELKAY[®]

SPECIFICATIONS

Elkay Specialty Collection™ Undermount Sinks Model SCUH1416 Series

GENERAL

High quality single bowl sink is formed of #18 gauge copper or type 304 (18-8) nickel bearing stainless steel material. Specialty Collection copper sinks are made from genuine solid, uncoated material and will naturally tarnish.

SCUH1416CH copper with hammered mirror finish

SCUH1416CM copper with mirror finish

SCUH1416CS copper with satin finish

SCUH1416SH stainless steel with hammered mirror finish

SCUH1416SM stainless steel with mirror finish

DESIGN FEATURES

Bowl Depth: 7-1/2".

Coved Corners: 3" vertical and 2" horizontal radii.

Underside: Sound deadening pads on sides.

OTHER

Drain Opening: 3-1/2".

Note: All Elkay undermount sinks are designed to affix easily to the underside of any solid surface countertop.

Copper sink models furnished complete with matching drain and basket strainer.

OPTIONAL ACCESSORIES

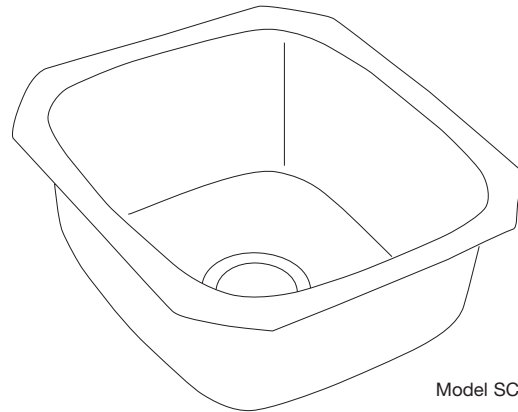
Rinsing Basket: LKRB1611 or LKERBSS.

SINK DIMENSIONS (INCHES)*

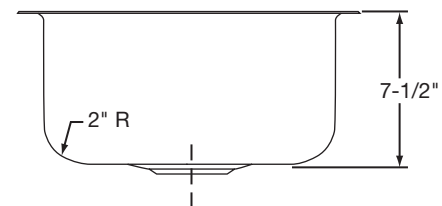
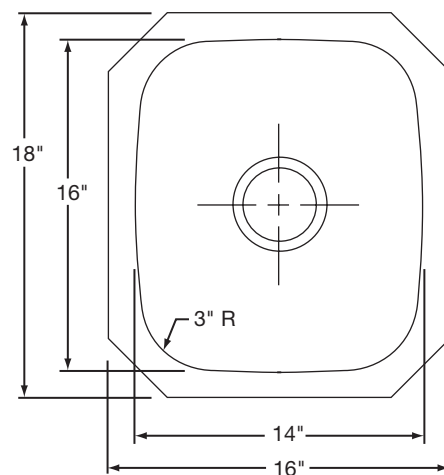
Model Number	Overall		Inside Bowl			Cutout in Countertop	Minimum Cabinet Size
	L	W	L	W	D		
SCUH1416CH	16	18	14	16	7½	See Template**	21
SCUH1416CM	16	18	14	16	7½		21
SCUH1416CS	16	18	14	16	7½		21
SCUH1416SH	16	18	14	16	7½		21
SCUH1416SM	16	18	14	16	7½		21

*Length is left to right. Width is front to back.

**Template and countertop mounting clips are packed with every sink.



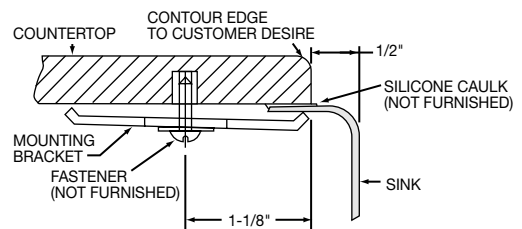
Model SCUH1416



Model SCUH1416

Installation Profile of SCUH Models

The template provided with each SCUH sink provides the only type of installation recommended by Elkay.



ALL DIMENSIONS IN INCHES, TO CONVERT TO MILLIMETERS MULTIPLY BY 25.4.

In keeping with our policy of continuing product improvement, Elkay reserves the right to change product specifications without notice.

This specification describes an Elkay product with design, quality and functional benefits to the user. When making a comparison of other producers' offerings, be certain these features are not overlooked.