

MODEL: 010118-1-FINISH
010118-3-FINISH

SPECIFICATION SHEET

WALL-HUNG COLLECTION

- Optional Wood or Frosted Glass drawer front
- Soft Close and Full Extension drawers with Dovetail construction
- Undermount glides
- Matching finish throughout the interior
- Extend design with Optional 12", 15" & 18" Drawer Bridge and 15" Shelf Bridge
- Optional Drawer Organizer
- Matching Mirror, Medicine Cabinet and Wall Cabinet

All Ronbow cabinets are made of solid hardwood or hardwood plywood and meet strict CARB Standards. No particle Board or Micro-Density Fiberboard (MDF) are used.

Available finishes:

- DARK CHERRY H01
- CINNAMON F08

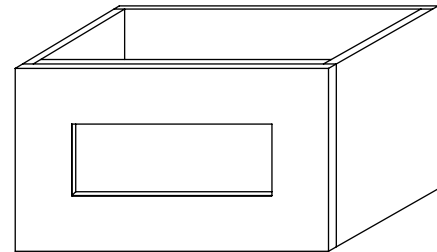
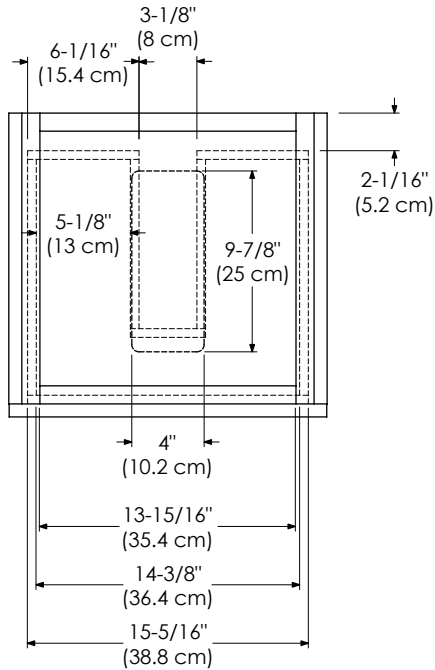
Available fronts:

- FROSTED GLASS FRONT
- WOOD FRONT

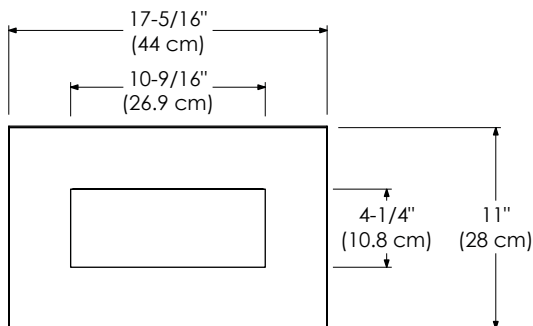
Available tops:

- CERAMIC SINKTOP
- STONE SINKTOP

TOP VIEW



FRONT VIEW



SIDE VIEW

