

# VICTORIAN SHOWER ARM

Cat.No.  
5585



## Features:

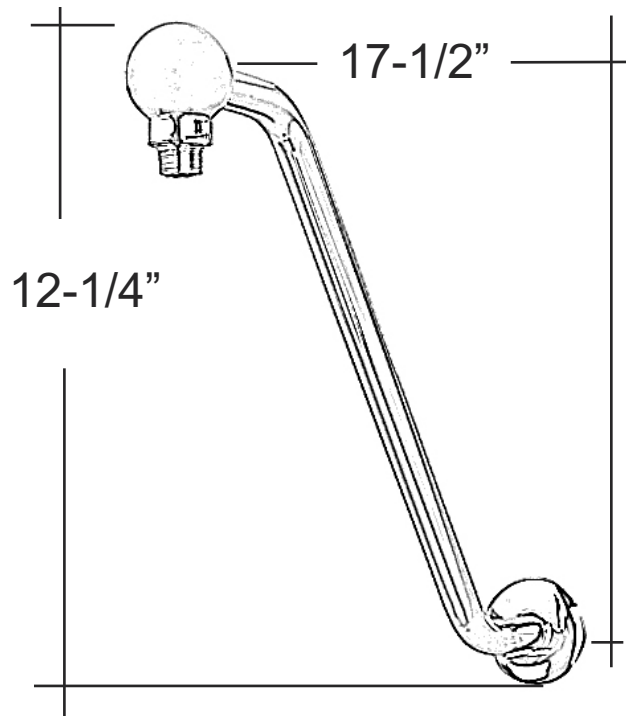
- ▶ Made of Solid Brass
- ▶ Flange Included
- ▶ Available in 3 Finishes

## Finishes:

- CP** Polished Chrome
- BP** Polished Brass
- SN** Brushed Nickel

**H:** 12-1/4"

**D:** 17-1/2"  
(From Wall)



Dimensions and specifications subject to change without notice.