

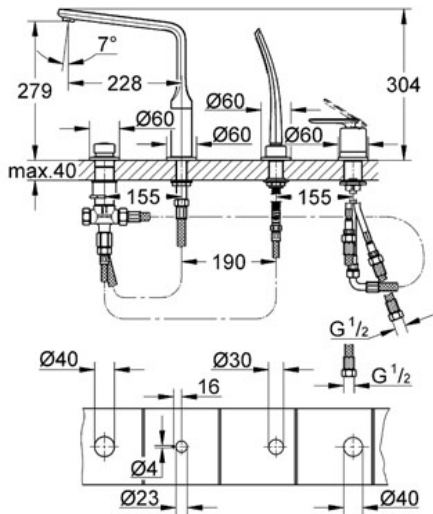
# VERIS Four-hole Single-lever Bath Combination

19373

Pure Freude an Wasser



GROHE America, Inc | 200 North Gary Avenue, Suite G, Roselle, IL 60172  
Phone: +1 (800) 444-7643 | Fax: +1 (800) 225-2778 | us-customerservice@grohe.com



## Four-hole Single-lever Bath Combination

- GROHE StarLight® finish
- GROHE SilkMove® ceramic cartridge
- GROHE Ondus hand shower 27 184
- Pre-assembled spout mounting
- OHM operating element
- Swivel bath inlet with flow control
- Diverter bath/shower
- 79" metal shower hose
- Mounting plate
- Stainless Steel Braided Flexible Supplies
- Connection for shower hose
- **Protected against backflow**
- Min. recommended pressure 15 psi

### Color:

□ 19373 000 chrome

