



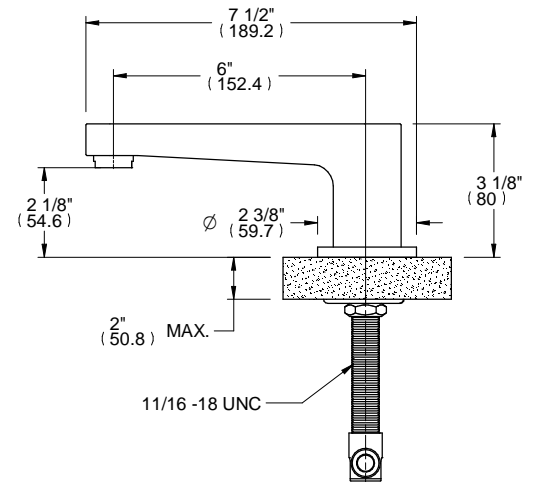
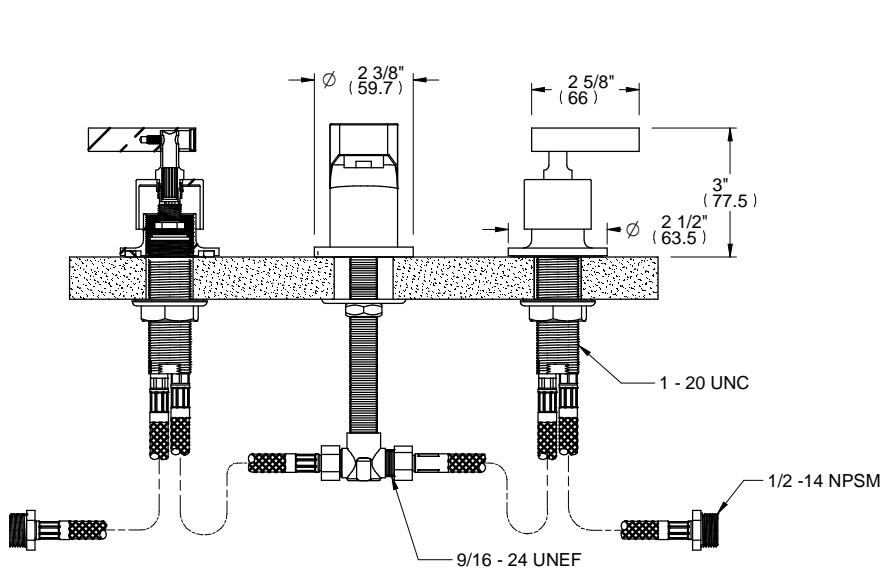
CALGreen



ASME  
SETTING THE STANDARD



L1



ALTMANS RESERVES THE RIGHT TO MODIFY AND CHANGE SPECIFICATIONS AT ANY TIME. PLEASE VERIFY DIMENSIONS PRIOR TO INSTALLATION.

### Features

- Available in All Finishes
- Low Lead Brass Construction
- 1/4 Turn Ceramic Disc Cartridge

### Through-Hole Specifications

- Spout: Ø 1 1/4" MAX
- Valve: Ø 1 1/4" MAX

DIMENSIONS SHOWN TO NEAREST 1/16"