

# ELKAY<sup>®</sup>

## SPECIFICATIONS

### Lustertone<sup>®</sup> Hospitality Sinks and Sink Packages

#### GENERAL

Highest quality sink bowl seamlessly formed of #18 gauge, type 304 (18-8) nickel bearing stainless steel. Self-rimming.

#### DESIGN FEATURES

Bowl Depths: 6-1/8" [BLR(Q)1560 and LMR2013], 7-1/8" [all others].

Coved Corners: 1-3/4" vertical and horizontal radius. LMR2013 has 3" vertical and 1-3/4" horizontal radius.

Bowl and Faucet Deck Recess: 3/16" below outside edge of sink.

Finish: Exposed surfaces are hand blended to a lustrous highlighted satin finish.

Underside: Fully undercoated to dampen sound and prevent condensation.

These sinks comply with ANSI Standard A112.19.3M.

#### SINK PACKAGES

**BLH15C** Package includes:

- (1) **BLR15** Sink.
- (1) **LKA2438** Hi-Arc<sup>®</sup> two-handle bar faucet with 9" high (deck to aerator) contemporary swing spout.
- (1) **LK36** Small basket strainer for 2" drain outlets.

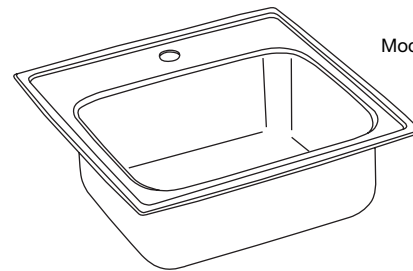
**BLR150C** Package includes:

- (1) **BLR15** Sink.
- (1) **LK2223** Deluxe two-handle bar faucet with 9-7/8" high (deck to aerator) traditional swing spout.
- (1) **LK36** Small basket strainer for 2" drain outlets.

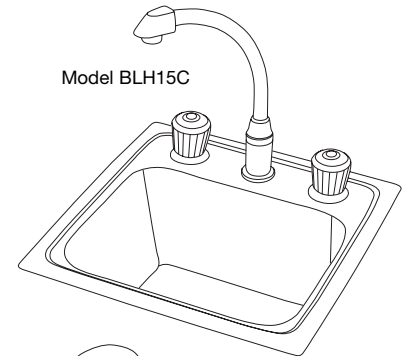
#### OTHER

Drain Openings: 3-1/2" [BLR(Q)1516 and LMR2013], 2" [all others].

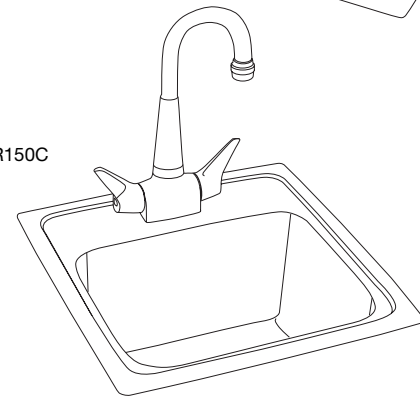
NOTE: Unless otherwise specified, sink is furnished with 1 faucet hole as shown.



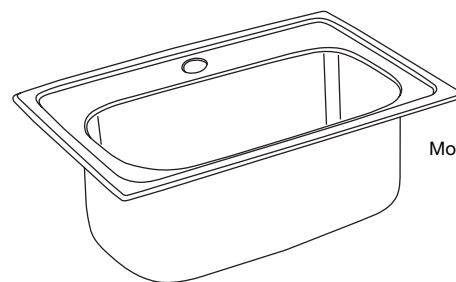
Model BLR(Q)151



Model BLH15C



Model BLR150C



Model LMR20131

SEE OTHER SIDE FOR PRODUCT DIMENSIONS.

ALL DIMENSIONS IN INCHES, TO CONVERT TO MILLIMETERS MULTIPLY BY 25.4.

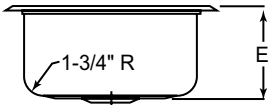
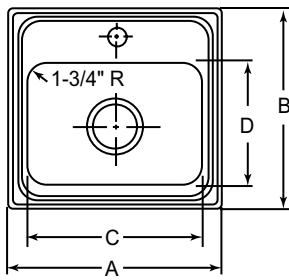
*In keeping with our policy of continuing product improvement, Elkay reserves the right to change product specifications without notice.*

*This specification describes an Elkay product with design, quality and functional benefits to the user. When making a comparison of other producers' offerings, be certain these features are not overlooked.*

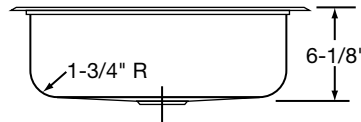
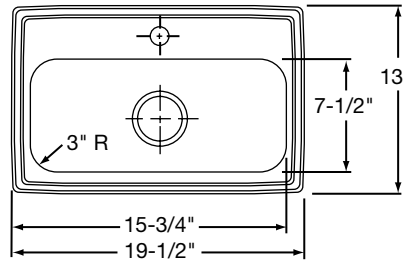
**SINK DIMENSIONS (INCHES)\***

U-Channel Model Number	Quick-Clip® Model Number	Overall		Inside Bowl			Cutout in Countertop (1 1/2" Radius Corners)		No. of Faucet Holes 4" Centers	Minimum Cabinet Size	Ship. Wt. Lbs.
		L	W	L	W	D	L	W			
		A	B	C	D	E	L	W			
BLH15C	-	15	15	12	9 1/4	7 1/8	14 3/8	14 3/8	3	18	11 1/2
BLR150C	-	15	15	12	9 1/4	7 1/8	14 3/8	14 3/8	1	18	12
BLR15	BLRQ15	15	15	12	9 1/4	7 1/8	14 3/8	14 3/8	1, 2, MR2 or 3	18	7
BLR1516	BLRQ1516	15	15	12	9 1/4	7 1/8	14 3/8	14 3/8	1, 2, MR2 or 3	18	7
BLR1560	BLRQ1560	15	15	12	9 1/4	6 1/8	14 3/8	14 3/8	1, 2, MR2 or 3	18	7
LMR2013	-	19 1/2	13	15 3/4	7 1/2	6 1/8	18 7/8	12 3/8	1, 2, MR2 or 3	24	8 1/2

\*Length is left to right. Width is front to back.

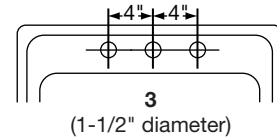
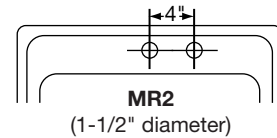
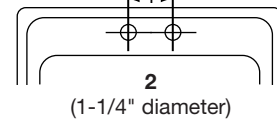
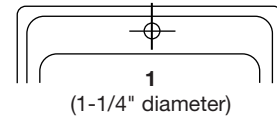


Model BLR151 Illustrated

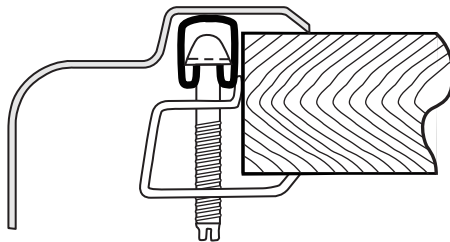


Model LMR2013 Illustrated

**HOLE DRILLING CONFIGURATIONS**



**U-Channel Type Mounting System**



**Quick-Clip® Mounting System**

