

FEATURED MODEL

441484 Compact Pull-Out, ANTHRACITE & CHROME MIX

ADDITIONAL MODELS

- 441485 Compact Pull-Out, BISCOTTI & CHROME MIX
- 441486 Compact Pull-Out, SATIN NICKEL
- 441487 Compact Pull-Out, CAFE BROWN & CHROME MIX
- 441488 Compact Pull-Out, CHROME
- 441489 Compact Pull-Out, CINDER & CHROME MIX
- 441490 Compact Pull-Out, TRUFFLE & CHROME MIX
- 441491 Compact Pull-Out, WHITE & CHROME MIX

FEATURES

- Solid brass body
- Ceramic disk cartridge
- Extendable dual pull-out spray
- 2.2 GPM flow rate
- Installation in a 1-3/8" hole
- Color coded hot and cold supply lines
- 130 degree spout swivel
- 1-3/4" maximum deck thickness

OPTIONAL ACCESSORIES

- Alta Soap Dispenser: 440047 (Anthracite)
- Alta Soap Dispenser: 440046 (Chrome)

CODE/STANDARDS COMPLIANCE

- ASME A112.18.1-2011
- NSF 61 certified
- NSF 61 ANEX G low lead requirements

AB1953 Lead Free

WARRANTY

BLANCO'S kitchen and bar faucets feature a LIMITED LIFETIME WARRANTY to be free of all manufacturing defects under normal use. See our complete warranty for details.

While BLANCO endeavors to provide accurate information, all dimensions are nominal, cannot be guaranteed, and are subject to change or cancellation. BLANCO assumes no responsibility for use of superseded or voided specifications.

JOB INFORMATION

Job Name: _____

Contact: _____

Date Specified: _____

Specifier: _____

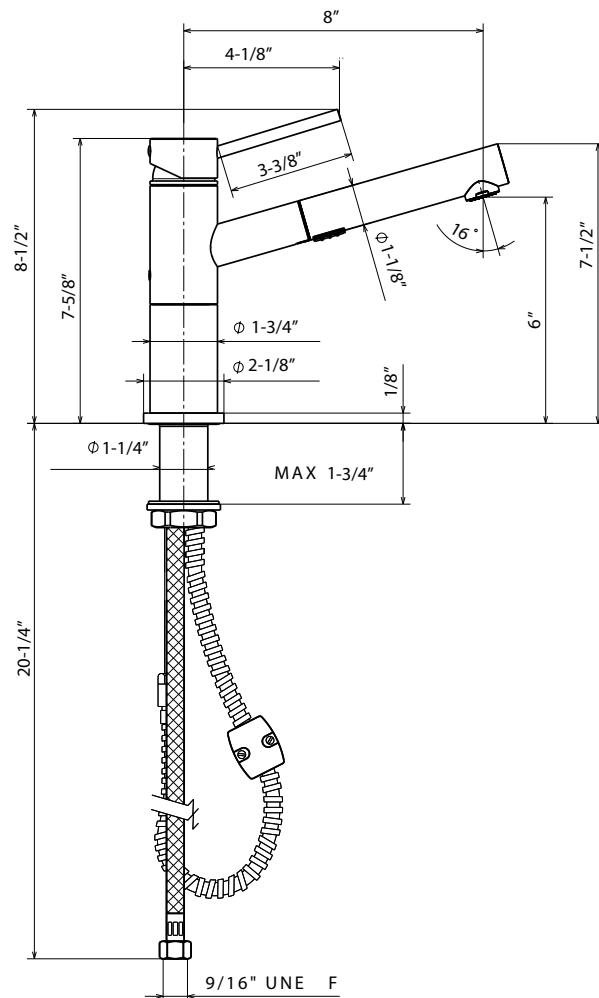
Contractor: _____



NOMINAL DIMENSIONS

Model 441484 shown

REACH	SPOUT HEIGHT	FAUCET HEIGHT
8"	6"	8-1/2"



See next page for exploded parts drawing and parts list.

BLANCO AMERICA

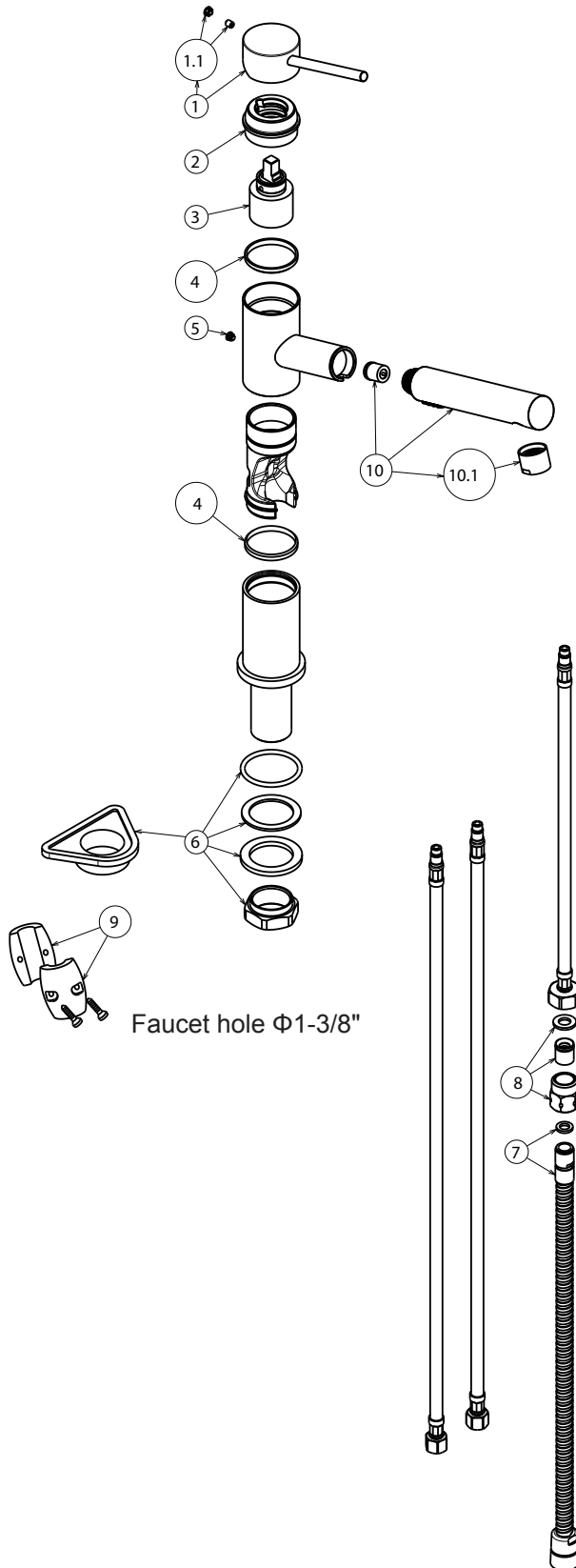
800.451.5782

www.blancoamerica.com

© 2013 BLANCO AMERICA

7/13

SPEC-003



REPAIR PART GUIDE

Num.	Description	Part #
1	Handle - Chrome	
1.1	Handle - Screw and Cap	440889
2	Cartridge lock nut	
3	Cartridge	440877
4	Inner o-rings	
5	Body set screw	
6	Mounting assembly	
7	Spray hose	440878
8	Check valve 2.2 GPM	
9	Weight	
10	Handspray - Chrome	441447
10.1	Aerator	

Need to Change a Faucet Cartridge?



Scan this QR code
to see our how-to video

For faucet technical support or questions,
please e-mail us at faucets@blancoamerica.com