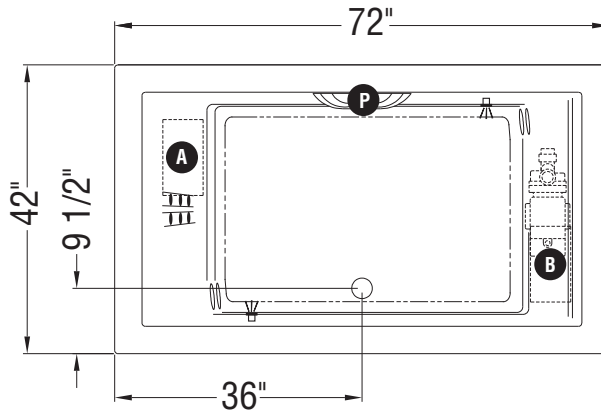
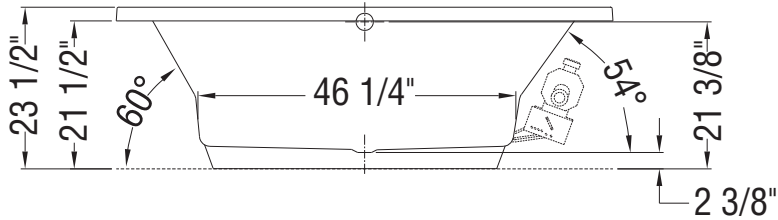
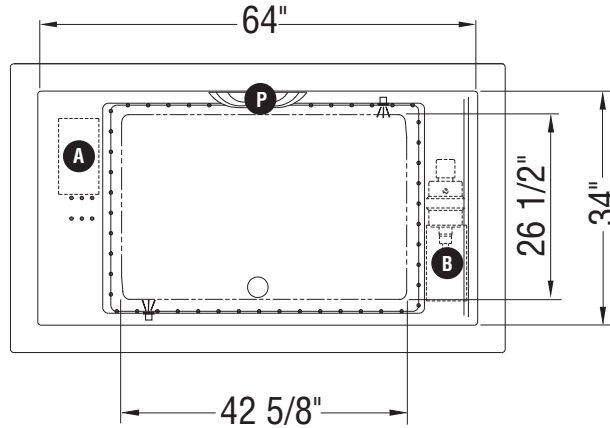


WHIRLPOOL SYSTEM



AIR SYSTEM



(A) (B) : Specify blower and/or pump location when ordering

(P) : Indicates optional grab bar positioning

(○) : Indicates whirlpool jets positioning

(•) : Indicates airjets positioning

(◐) : Indicates backjets positioning

(☼) : Indicates chromatherapy light positioning

All dimensions are approximate. Structure measurements must be verified against the unit to ensure proper fit.