



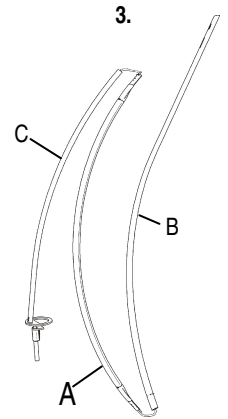
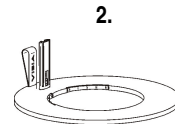
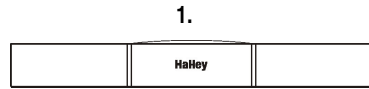
Halley

Design by Jordi Vilardell & Meritxell Vidal

VIBIA
LIGHTING THAT MAKES SENSE

ASSEMBLY INSTRUCTIONS

SUPPLIED MATERIAL



4160

1 Carry bag	1 un.
2 Base	1 un.
3 Profiles set (A), (B) y (C).	1 un.

TECHNICAL SPECIFICATIONS

4160. Net Weight 12 Kg 1 x LED STRIP 24V 21,6W



Class I. Product with an additional protection cable (grounds).



Dust-tight product. Protected against water spray.



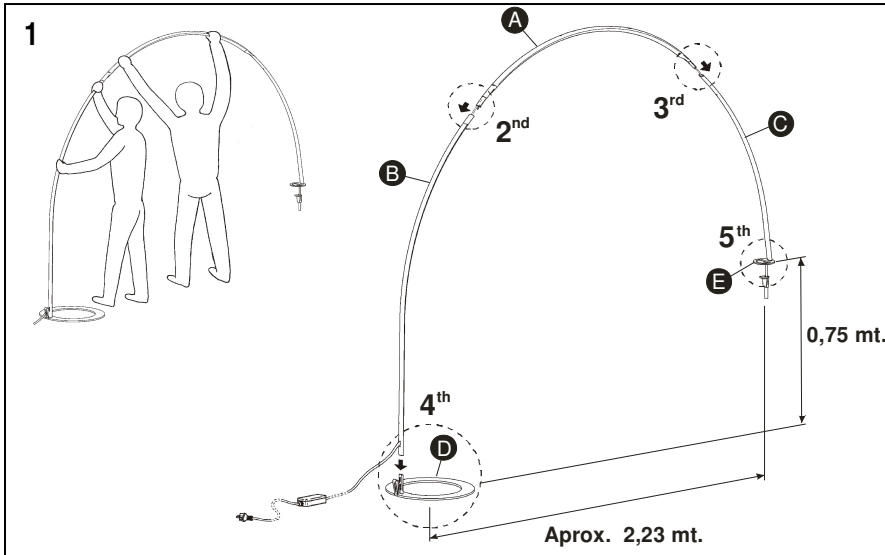
Product that CAN be in contact with normally-flammable materials (wood or others).

Caution

Before assembling and installing this product, carefully read the following:

- At least two people are needed to install and desinstall the lamp.
- If the steel cable or the power cord of this lamp is damaged, it must be replaced only by the manufacturer or their technical service or by a person capacitated to this effect to avoid any risk.
- We recommend reading the manual before installaing the lamp. Keep this instructions for future reference.

ASSEMBLY INSTRUCTIONS



1. Remove the top (A) and side (B and C) profiles from the carry bag and lay them out. Place the base (D) where you want to install the lamp. Keep in mind that the distance between the center of the base and the fixation point must be 2.23 mt. Approx.

2. Connect the top profile (A) to the side one (B) making sure the release button (F) is in place (G).

NOTE: When assembling the lamp, gently pull the cable on the lower part of the side profile (see Detail X).

3. Connect the top profile (A) to the short one (C) making sure the button is in place, just like Step 2.

4. Connect the side profile (B) to the base (D) with the cable facing the fabric handle (H).

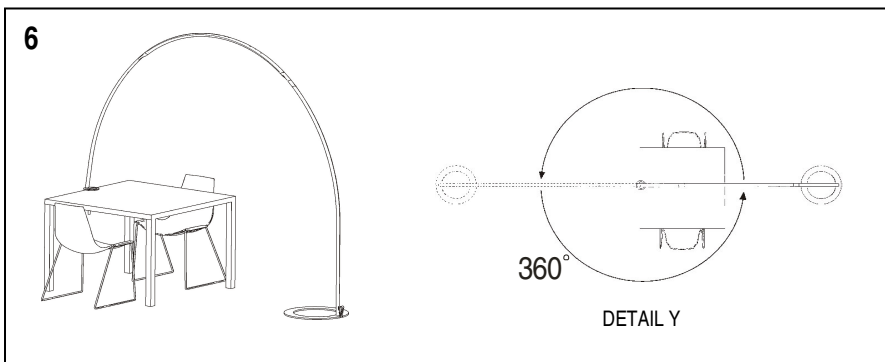
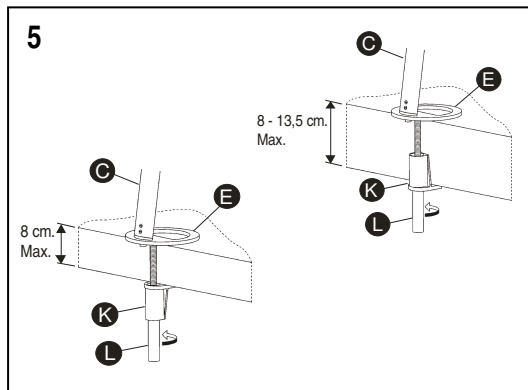
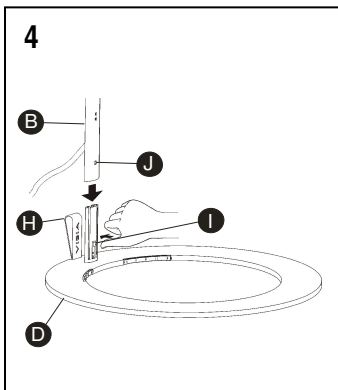
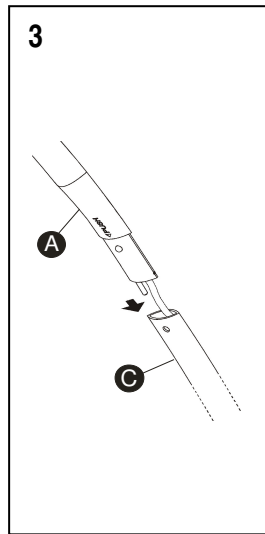
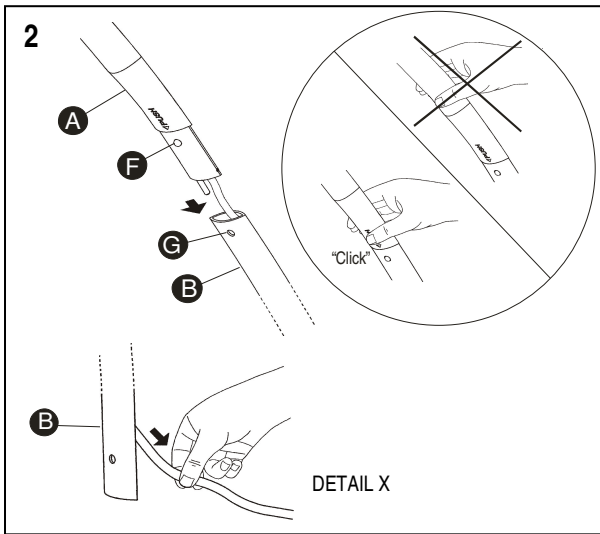
Keep the button (I) pressed when connecting the profile, push downwards until a click is heard and the profile is in place (J).

5. Fix the clamp (E) to a table or to the rail. The distance of the clamp from the ground must be 0.75 mt. approx.

The piece (K) can be installed in two position depending on the thickness of the table or rail.

Fix everything in place by tightening the nut (L).

6. Once installed, the lamp can rotate 360°, as shown in Detail Y.



Maintenance

-Use a slightly-wet cotton cloth for cleaning.

-In case of malfunction or damage, please contact the retailer who sold the lamp.