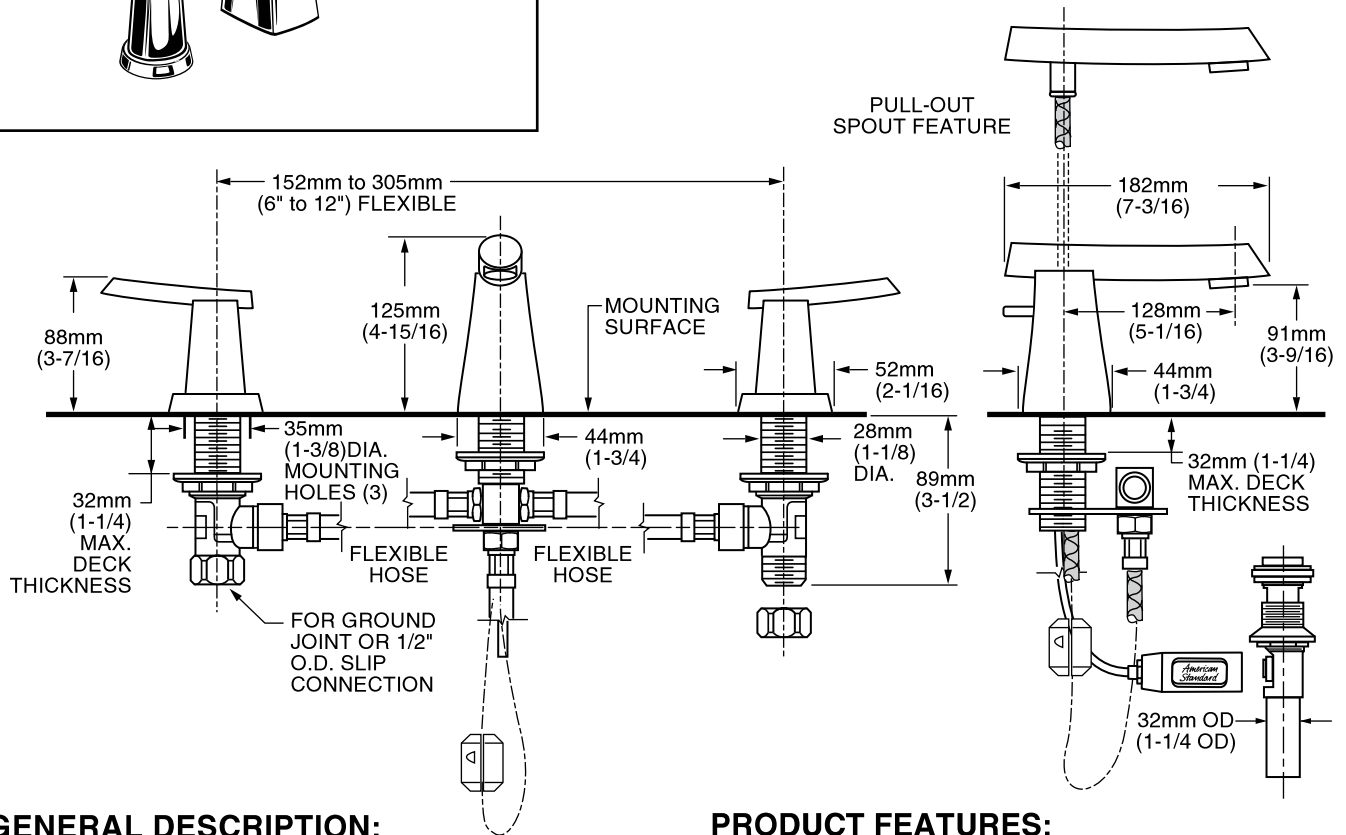


MODEL NUMBER:

- **7010.801 Widespread Lavatory with Pull-Out Spout**
Metal Speed Connect® Pop-up drain.
Metal Lever handles.



GENERAL DESCRIPTION:

Cast brass valve bodies with flexible hose connections for 6" to 12" (152mm to 305mm) installations. 1/4 turn washerless ceramic disc valve cartridges. Metal spout body with brass pull-out spout (can be locked to spout base if desired). Hose is 1250mm (4') long with 625mm (2') reach. Two integral check valves. One-half inch male inlet shanks with brass coupling nuts. 20" (500mm) long flexible stainless steel drain cable is pre-assembled to faucet body. Metal Speed Connect® drain body with 1-1/4 inch (32mm) tail piece. 1.5 gpm/5.7L/min. maximum flow rate.

PRODUCT FEATURES:

- Ceramic Disc Valve Cartridges:** Assures a lifetime of drip-free performance.
- Cast Brass Valve Bodies:** Durable. Ideal for prolonged contact with water.
- Low Lead:** Meets NSF Standard 61/Section 9 & Prop 65 lead requirements.
- Integral Check Valves:** Prevent backflow.
- Exclusive Speed Connect Metal Drain:**
 - Fewer Parts - installs in less time.
 - No adjustments required - seals the first time, every time.
 - Flexible stainless steel cable - installs effortlessly in tight spaces.
- Choice of Finishes:** Available in Polished Chrome or Stainless Steel (PVD).

SUGGESTED SPECIFICATION:

Two handle widespread lavatory faucet shall feature a pull-out spout with two check valves and cast brass valve bodies with flexible hose connections for 6" to 12" installations. Shall also feature 1/4 turn washerless ceramic disc valve cartridges. Shall also feature a metal drain body with stainless steel cable actuation. Fitting shall be American Standard Model #7010.801.____.