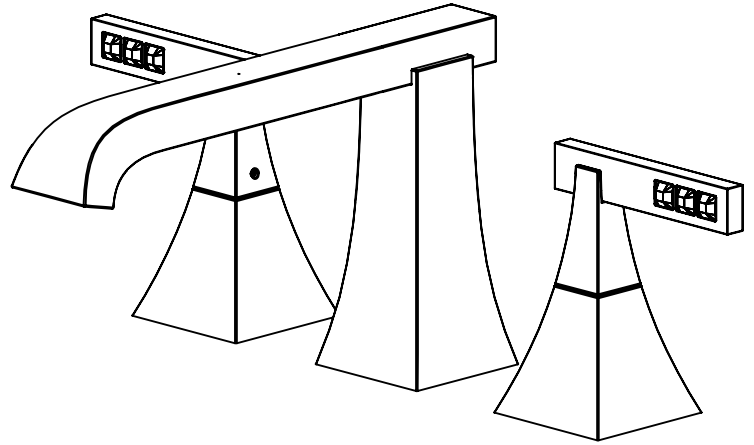


Features

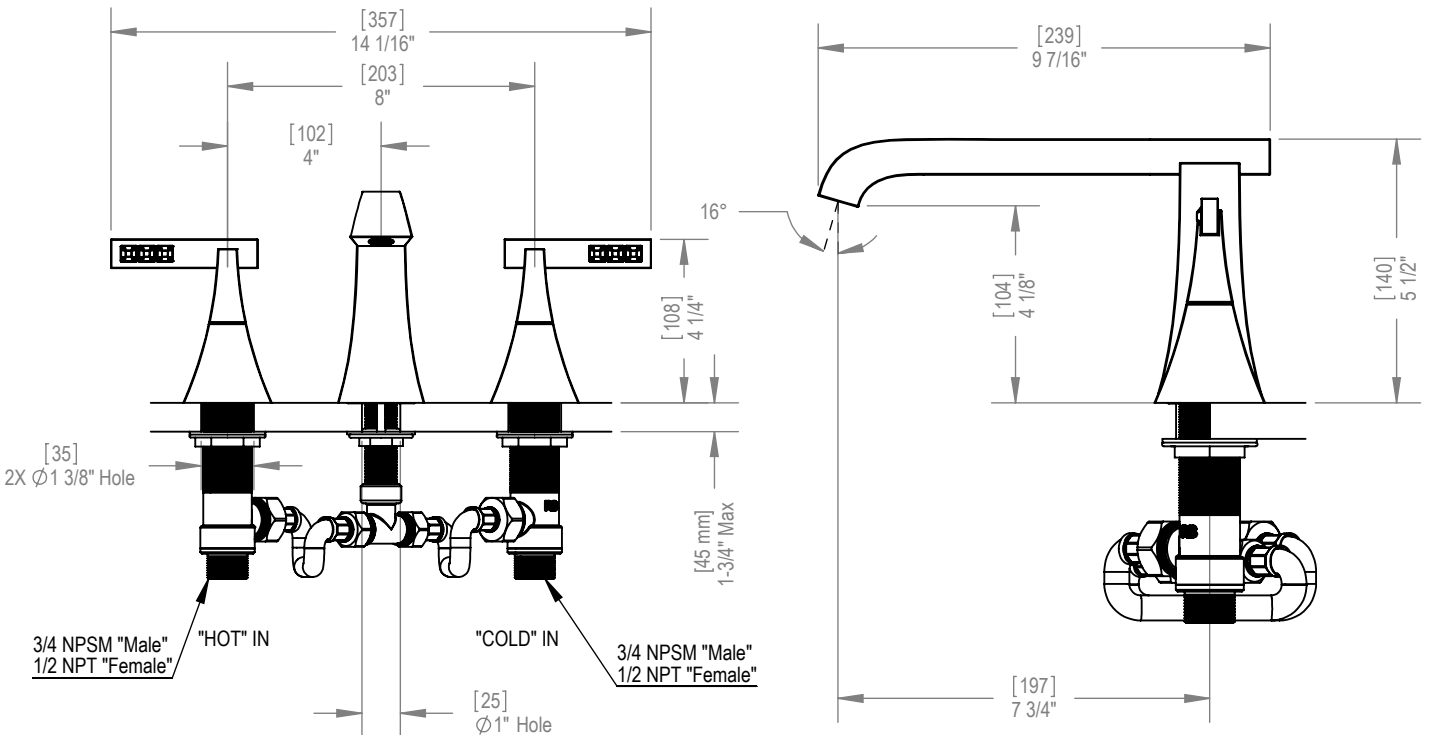
- Brass construction with choice of 18 finishes
- Two lever handles: Plain or with optional Black or Clear Swarovski* crystal inlays
- Quarter-turn ceramic disk mechanisms
- Flow rate: 12 gpm @ 40 psi
15 gpm @ 60 psi

Order Matrix

Model	Main Finish	Accent Finish
5ARBICL	AB - Antique Brass	00 - No inlays
	AC - Antique Copper	CL - Clear crystal inlays
	BB - Bright Brass	JT - Black crystal inlays
	CH - Chrome	
	GD - Gold	
	OB - Oil Rubbed Bronze	
	PN - Polished Nickel	
	SB - Satin Brass	
	SC - Satin Chrome	
	SN - Satin Nickel	
	TB - Tuscan Brass	
	AQ - Aqua	
	BK - Black	
	MB - Matte Black	
	MW - Matte White	
	NC - Natural Cream	
	RD - Red	
	WH - White	



ICE
Lever Handle Roman Tub Filler (3/4" Valves)
Model: 5ARBICL-XX-XX



Critical Dimensions

TEL: 905-851-6781
FAX: 905-851-8031
TOLL FREE: 800-461-5901

THE **Rubinet** FAUCET COMPANY

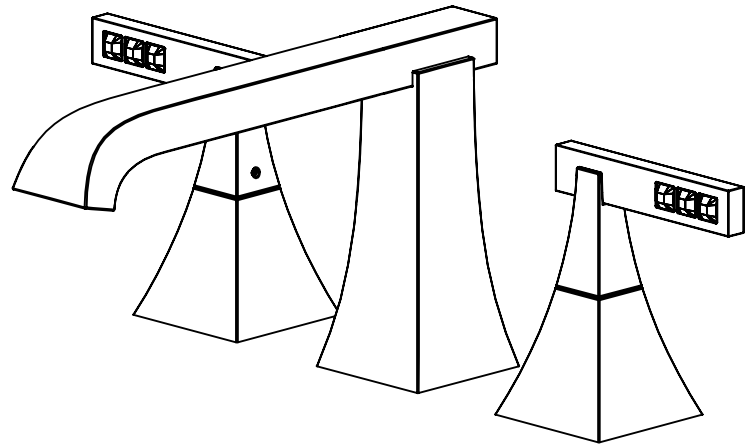
www.rubinet.com

Features

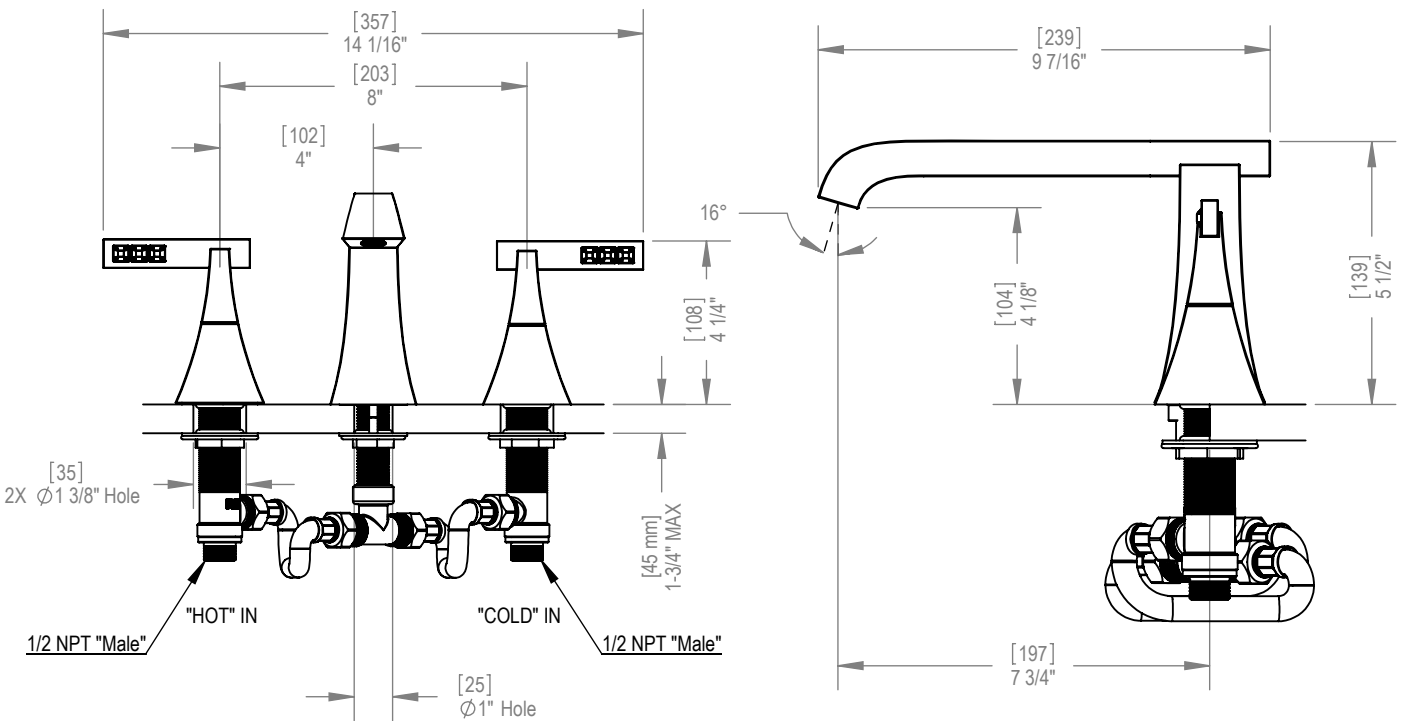
- Brass construction with choice of 18 finishes
- Two lever handles: Plain or with optional Black or Clear Swarovski* crystal inlays
- Quarter-turn ceramic disk mechanisms
- Flow rate: 9.5 gpm @ 40 psi
11.5 gpm @ 60 psi

Order Matrix

Model	Main Finish	Accent Finish
5ERBICL	AB - Antique Brass	00 - No inlays
	AC - Antique Copper	CL - Clear crystal inlays
	BB - Bright Brass	JT - Black crystal inlays
	CH - Chrome	
	GD - Gold	
	OB - Oil Rubbed Bronze	
	PN - Polished Nickel	
	SB - Satin Brass	
	SC - Satin Chrome	
	SN - Satin Nickel	
	TB - Tuscan Brass	
	AQ - Aqua	
	BK - Black	
	MB - Matte Black	
	MW - Matte White	
	NC - Natural Cream	
	RD - Red	
	WH - White	



ICE
Lever Handle Roman Tub Filler (1/2" Valves)
Model: 5ERBICL-XX-XX



Critical Dimensions

TEL: 905-851-6781
FAX: 905-851-8031
TOLL FREE: 800-461-5901

THE **Rubinet** FAUCET COMPANY

www.rubinet.com