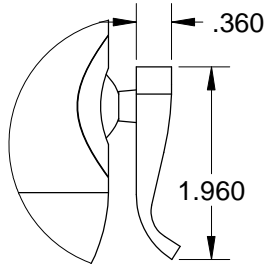
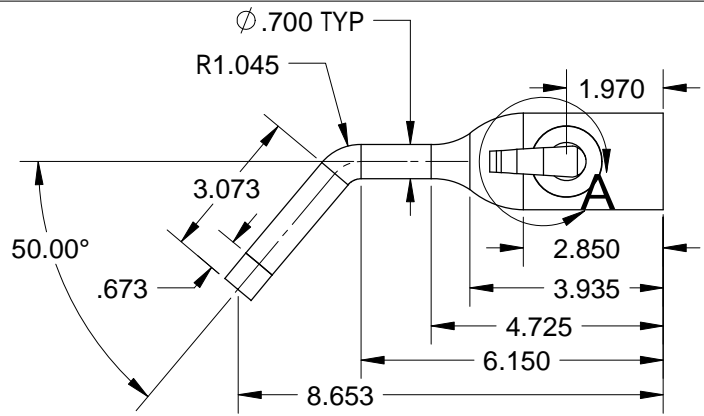
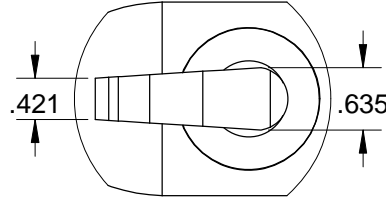


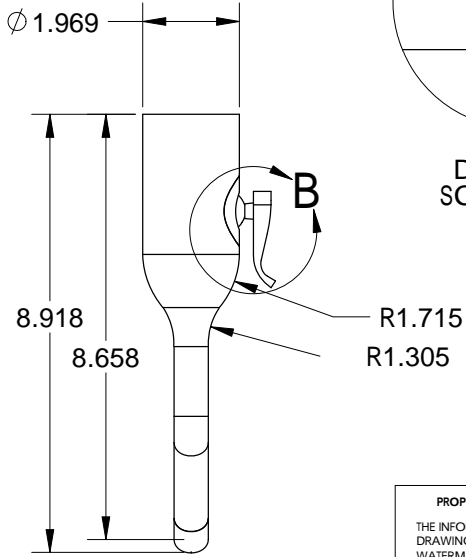
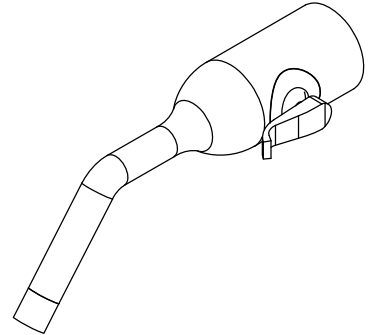
Adjustable Volume  
Aerator



DETAIL B  
SCALE 2 : 3



DETAIL A  
SCALE 2 : 3



**PROPRIETARY AND CONFIDENTIAL**  
THE INFORMATION CONTAINED IN THIS DRAWING IS THE SOLE PROPERTY OF WATERMARK DESIGNS. ANY REPRODUCTION IN PART OR AS A WHOLE WITHOUT THE WRITTEN PERMISSION OF WATERMARK DESIGNS IS PROHIBITED.

UNLESS OTHERWISE SPECIFIED:	NAME	DATE
DIMENSIONS ARE IN INCHES	<b>Axel</b>	3/3/2010
TOLERANCES:	CHECKED	
FRACTIONAL ±0.005	ENG APPR.	
ANGULAR: MACH ±1° BEND ±1°	MFG APPR.	
TWO PLACE DECIMAL ±.01	Q.A.	
THREE PLACE DECIMAL ±.005	COMMENTS:	
INTERPRET GEOMETRIC TOLERANCING PER:		
MATERIAL		
<b>BRASS</b>		
FINISH		
<b>Polished/Buffered</b>		
DO NOT SCALE DRAWING		

<b>WATERMARK</b>		
44-1.2		
SIZE	DWG. NO.	REV
<b>A</b>		
SCALE: 1:4	WEIGHT:	SHEET 1 OF 1

5

4

3

2

1

X:\44 NAPA\44-1.2\