

Integrated EcoPower® Faucet

FEATURES

- Hydropower self-generating system
- Sensor faucet with aerated flow
- Spout integrated temperature control with anti-scald design
- Single-hole mount

MODELS

- TEL5LI15#CP - Thermal Mixing
Discharge: On-demand; Up to 15 seconds while activated.
- Optional Accessories:
TN71V100S - 4" cc Cover Plate
71244T8CC - 8" cc Cover Plate



COLORS/FINISHES

- #CP Polished Chrome



PRODUCT SPECIFICATION

TOTO Model # _____ Automatic infrared sensor activated faucet. Anti-scald, thermal mixing chamber. Automatic sensor adjustment on installation. Maximum discharge 0.15 gallon per 15 second cycle. Electrical components separated from spout assembly and sealed in waterproof compartments. Single hole faucet with optional 4" cc and 8" cc cover plates. All TEL5 series use an ASSE 1070 listed controller module with mixing valve. Faucet uses 0.15 gallon/cycle which is 25% below CALGreen's baseline.

CODES/STANDARDS

- Exceeds mandatory baseline, 0.20 gallon/cycle, of California Green Building Code, CALGreen
- Meets or exceeds ASME A112.18.1/CSA B125.1, and ASSE 1070*
- Certifications: IAPMO(cUPC), ASSE, State of Massachusetts, and others
- Code Compliance: UPC, IPC, NSPC, NPC Canada, and others
- California Green Code and City of Los Angeles Water Efficiency Ordinance
- ADA compliant



**Note: ASSE 1070 supersedes ASSE1016 for non-shower point of use devices. Applies to TEL5 series models.*

TEL5LI

Integrated EcoPower® Faucet

SPECIFICATIONS

- **Warranty** Three year warranty
- **Material** Bronze with polished chrome finish
- **Power Supply** Hydropower self-generating system
- **Hot/Cold-water Supply** Minimum required water pressure: 15PSI
Maximum water pressure: 125PSI*
- **Water Supply Connect** 3/8" Compression
- **Water Consumption** 0.15 gallons per cycle (max);
- **Water Saving Function** Automatically turns OFF when user removes hands
Maximum continuous run time is 15 seconds
- **Detection time** ON feature: Immediate
OFF feature: 1 second delay
- **Detection range** Factory set at 2-1/4"
Faucet automatically sets the detection range according to the size of the basin
- **Discharge water temperature control range** Thermal Mixing Faucet:
Cold inlet: 39 - 80°F
Hot inlet: 120 - 180°F
Adjustable Outlet: 39 - 113°F (max)
- **Anti-scald safety feature** Provides the user protection against exposure to excessive water temperature (Thermal mixing faucet, only)

NOTE

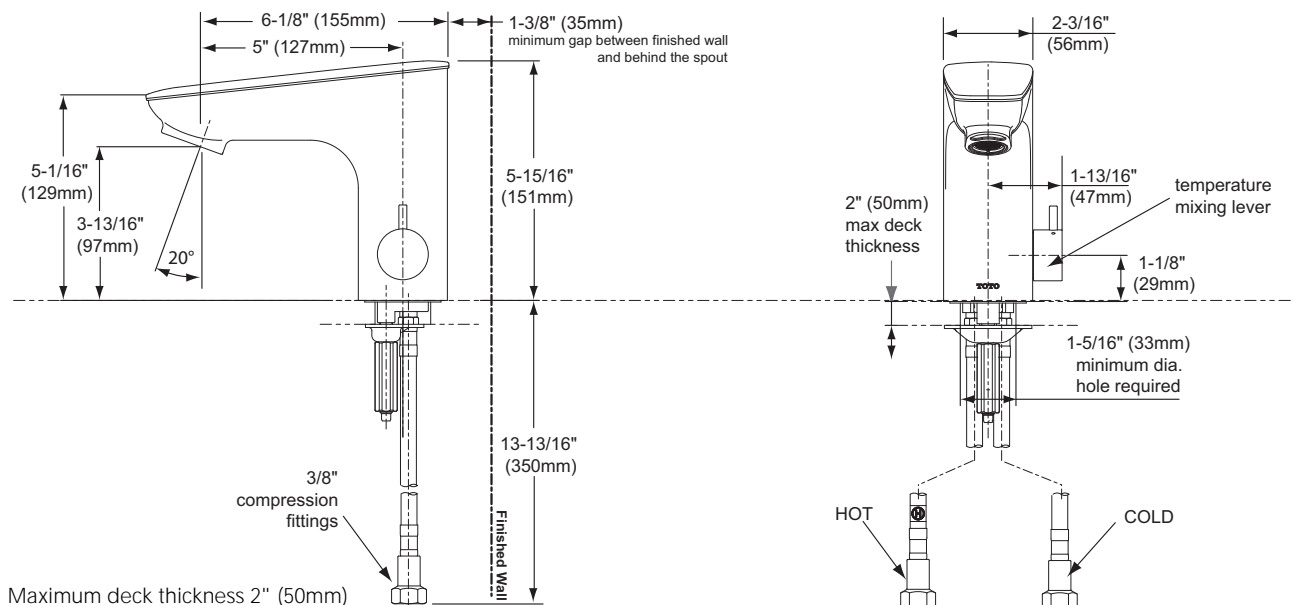
Following the Federal mandate for water efficiency outlined in the Environmental Protection Act of 1992, Faucets can be rated for water consumption based on two categories: flow rate and water consumption.

With the "Water Consumption" standard, a faucet must not use more than 0.25 gallons of water per cycle. The TOTO® faucet with a 15 second cycle uses 0.15 gallons of water. This is a 40% below the base line of 0.25 gallons per cycle.

Furthermore, an innovative design feature incorporated into all TOTO electronic faucets is an "ON-DEMAND" mode. This means that the faucet will only deliver water as needed and will not run the entire duration of its rated cycle - 15 seconds. This guarantees additional water savings.

TOTO uses water consumption because it is the most accurate method of measuring water use. This method of measurement can be incorporated into water usage calculations for various efficiency programs. For more information, please consult www.totousa.com.

*Water pressures over 80 psi are not recommended for most plumbing fixtures.



TOTO®

These dimensions and specifications are subject to change without notice