

### FEATURED MODEL

441500 Pull-Out Spray, CHROME

### ADDITIONAL MODELS

441501 Pull-Out Spray, SATIN NICKEL

### FEATURES

- Solid brass body
- Meets CALGREEN requirements for water-saving usage
- Dual pull-down spray
- Ceramic disk cartridge
- 1.8 GPM flow rate saves 20% more water
- Installation in a 1-3/8" hole
- 120 degree spout swivel
- 2-1/4" maximum deck thickness

### OPTIONAL ACCESSORIES

Deluxe Soap Dispenser:	440006 (Chrome)
Meridian Soap Dispenser:	440059 (Chrome)
Alta Soap Dispenser:	440046 (Chrome)
Milano Soap Dispenser:	440050 (Chrome)
Harvest Soap Dispenser:	440054 (Chrome)

### CODE/STANDARDS COMPLIANCE

ASME A112.18.1-2011

IAPMO listed

**AB1953 Lead Free**

### WARRANTY

BLANCO'S kitchen and bar faucets feature a LIMITED LIFETIME WARRANTY to be free of all manufacturing defects under normal use. See our complete warranty for details.

While BLANCO endeavors to provide accurate information, all dimensions are nominal, cannot be guaranteed, and are subject to change or cancellation. BLANCO assumes no responsibility for use of superseded or voided specifications.

### JOB INFORMATION

Job Name: \_\_\_\_\_

Contact: \_\_\_\_\_

Date Specified: \_\_\_\_\_

Specifier: \_\_\_\_\_

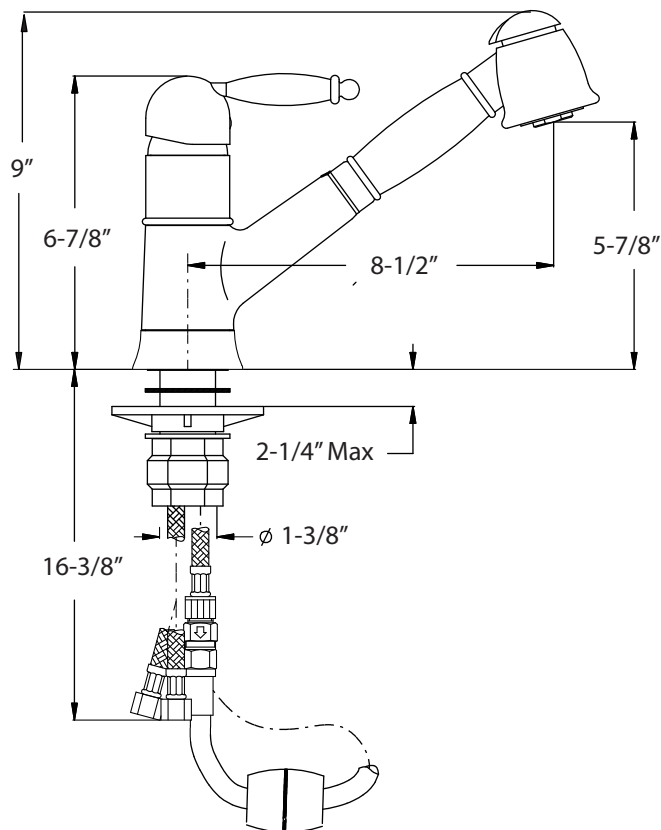
Contractor: \_\_\_\_\_



### NOMINAL DIMENSIONS

Model 441500 shown

REACH	SPOUT HEIGHT	FAUCET HEIGHT
8-1/2"	5-7/8"	9"



See next page for exploded parts drawing and parts list.

**BLANCO AMERICA**

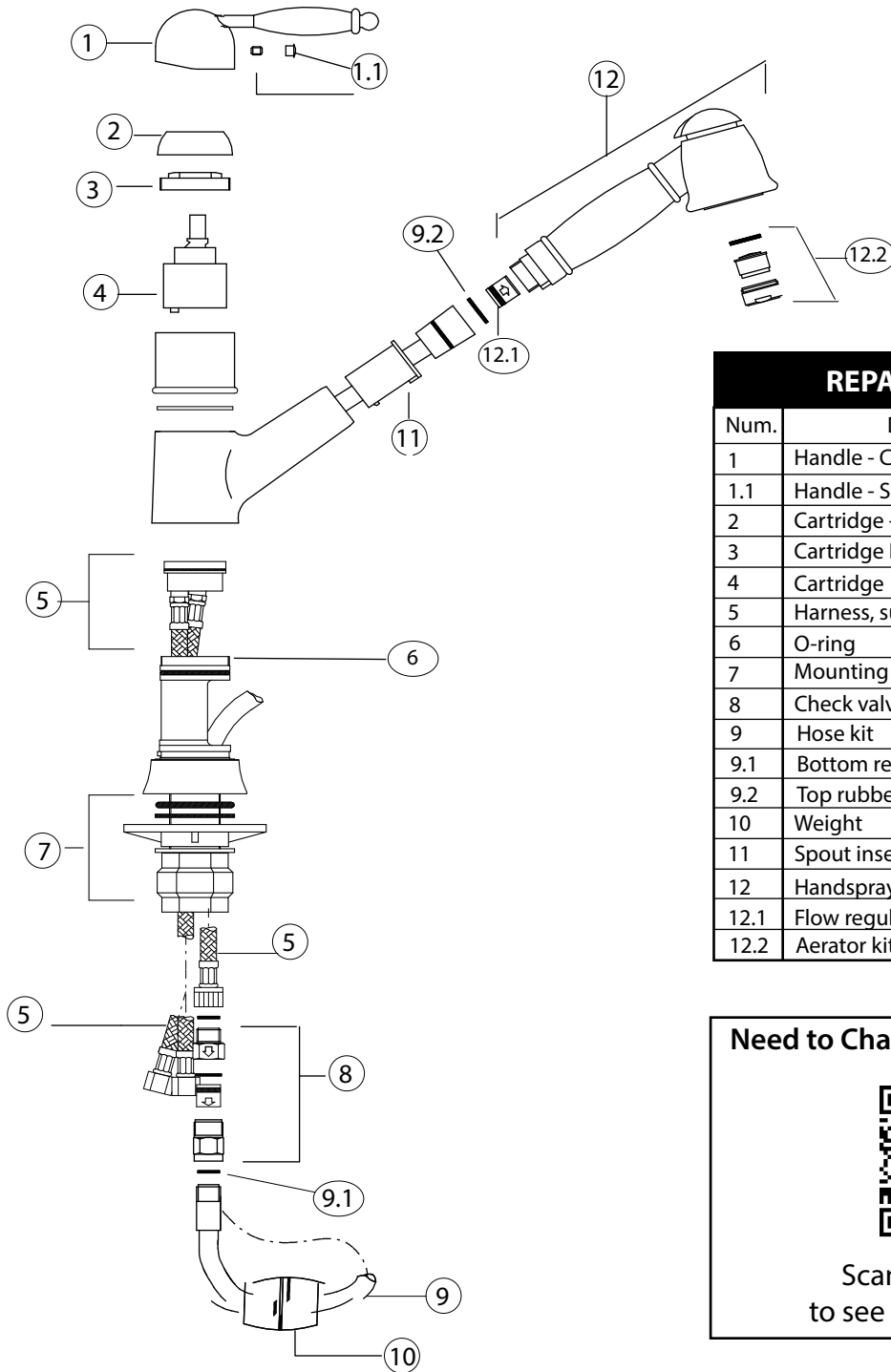
800.451.5782

www.blancoamerica.com

© 2013 BLANCO AMERICA

7/13

SPEC-003



REPAIR PART GUIDE		
Num.	Description	Part #
1	Handle - Chrome	
1.1	Handle - Screw and Cap	440758
2	Cartridge - Cap	
3	Cartridge Lock Nut	
4	Cartridge	440768
5	Harness, supply hose, supply lines	440769
6	O-ring	
7	Mounting nut assembly	
8	Check valve assembly 1.8 GPM	
9	Hose kit	
9.1	Bottom red washer	
9.2	Top rubber washer	
10	Weight	
11	Spout insert	
12	Handspray - Chrome	
12.1	Flow regulator	
12.2	Aerator kit	440766

**Need to Change a Faucet Cartridge?**

Scan this QR code  
to see our how-to video

For faucet technical support or questions,  
please e-mail us at [faucets@blancoamerica.com](mailto:faucets@blancoamerica.com)