



41180 Raintree Court  
 Murrieta, CA 92562  
 1-888-304-0660  
 www.waterstoneco.com

ITEM NO: **4900**

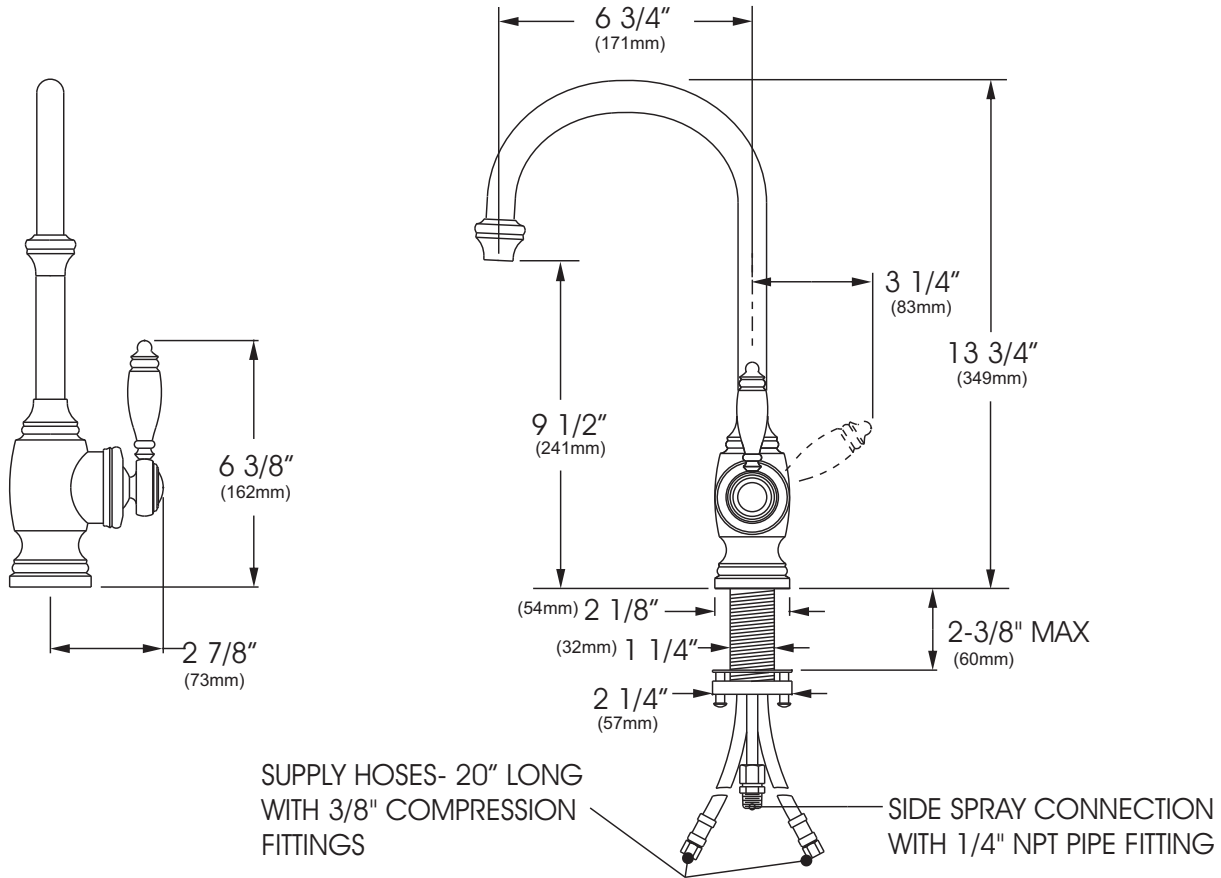
STYLE: **HAMPTON**

INTENDED USE: PREP FAUCET

CUSTOMER NAME:

JOB NO:

DIMENSIONS MAY VARY AND ARE SUBJECT TO CHANGE. NO RESPONSIBILITY IS ASSUMED FOR USE OF SUPERCEDED OR VOIDED DATA



RECOMMENDED HOLE SIZE 1-3/8"

### Technical Specifications

- Solid brass construction.
- Ceramic disk valve cartridge.
- 3 handle caps included. Plain, and ceramic right hand or left hand operation indicated for hot and cold.
- 1.75 gpm maximum flow rate.
- Lever handle
- Diverter equipped for connection to optional side spray.
- Reinforced braided connection hoses.
- Adjustable PTFE "Friction Lock" aids handle feel and prevents sag.

### Codes/Standards Applicable

Specified model meets or exceeds the following:

- ASME A112.18.1
- CSA B125.1
- NSF 61
- CALGreen

DATE: 1-11-08



MADE IN THE USA