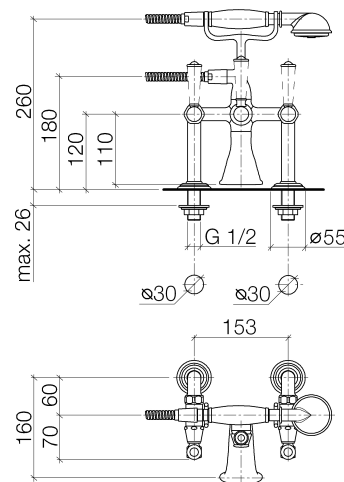




Product specifications

- **6 1/4" projection**
 - Non aerated flow
 - Back flow preventer in shower outlet
 - 1/2" ceramic disc cartridge
 - Diverter
 - Hand shower bracket
 - Hand shower with back flow preventer
 - 49 1/4" shower hose with rotating hose connector
 - Flanges, diameter 2 1/8"
 - Total height 10 3/8"
 - Center to center 5 7/8"
 - 1 1/4" hole diameter
 - Lever insert(s) to be ordered separately
 - Hand shower water flow rate limited to max. 2.38 gpm
- Internal backflow preventer.
[ADA]



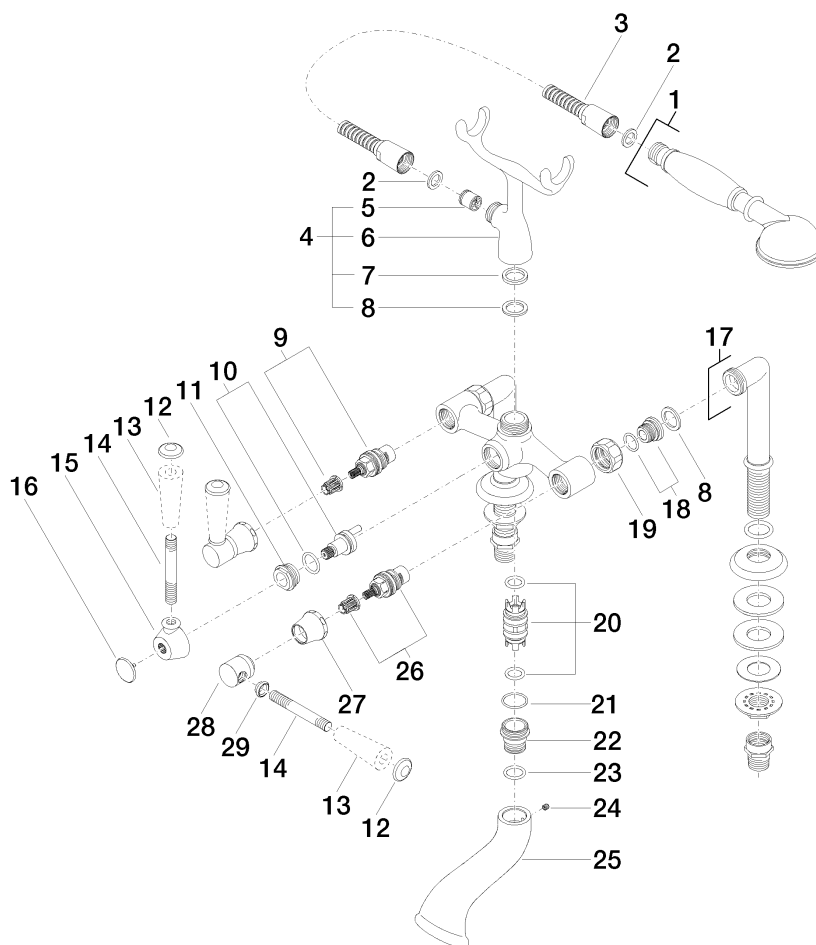


NOTE: Local building codes may require the use of an anti-scald device. Please refer to remote pressure balanced valve (35 910 970 90)

Surfaces

- chrome 25033370-00
- chrome 25033370-00
- matt platinum 25033370-06
- matt platinum 25033370-06
- platinum 25033370-08
- platinum 25033370-08
- brass 25033370-09
- brass 25033370-09

Exploded assembly drawing



**Order quantity**

No.	Article number	Name	Installation quantity
1	28002970ff	shower	1
2	09142000290	seal	2
3	28104970ff	hose	1
4	04172001000ff	holder	1
5	09230104090	back-flow preventer	1
6	091720010ff	holder	1
7	09140500890	seal	1
8	09142001090	seal	3
9	9090031310090	top	1
10	0415010010090	diverter	1
11	09231000790	nut	1
12	093030062ff	screw	3
13	11170370ff	handle	3
14	09282201390	pipe	3
15	091820011ff	base	1
16	093030064ff	screw	1
17	12822970ff0010	connection	2
18	0429050140090	nipple	2
19	092330010ff	nut	2
20	0421100100090	insert	1
21	09141005690	seal	1
22	09240312390	nipple	1
23	09141002290	seal	1
24	09311103090	pin	1
25	091106033ff	spout	1
26	9090031300090	top	1
27	092102055ff	cover	2
28	092037002ff	handle	2
29	092037001ff	handle	2

Bath & Spa

Madison Flair Two-hole tub mixer with hand shower set on pillars, for deck-mounted tub installation

Article number: 25033370

