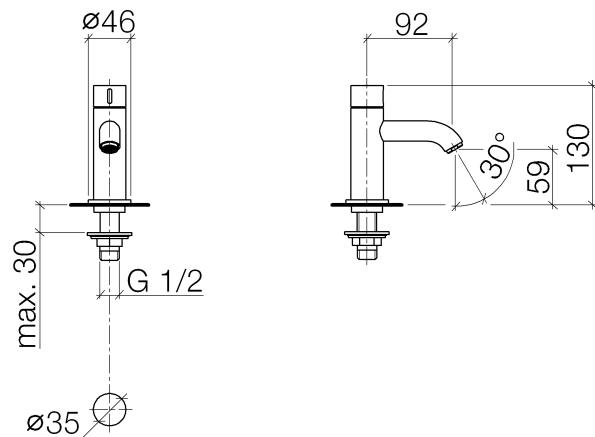




**Product specifications**

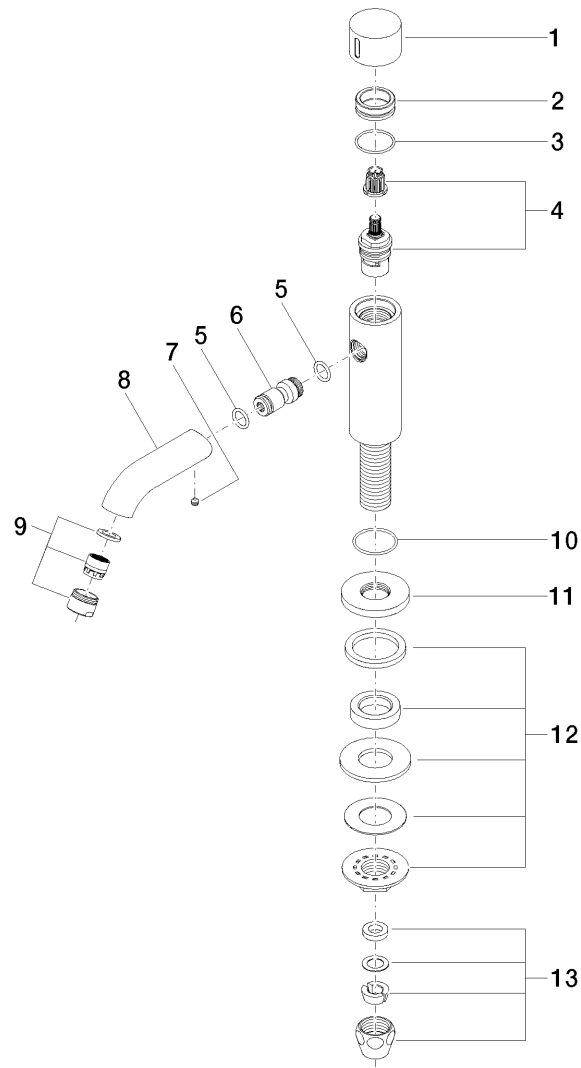
- **3 7/8" projection**
- M 18 x 1 aerator – male thread
- Total height 5 1/8"
- Height to aerator/spout outlet 2 3/8"
- 1/2" ceramic disc cartridge
- compression connectors
- Water flow rate limited to max. 1.5 gpm
- low lead compliant
- Flange diameter 2 1/8"



**Surfaces**

- |                 |                 |
|-----------------|-----------------|
| • chrome        | 17500625-000010 |
| • chrome        | 17500625-000010 |
| • matt platinum | 17500625-060010 |
| • matt platinum | 17500625-060010 |

**Exploded assembly drawing**



**Order quantity**

<b>No.</b>	<b>Article number</b>	<b>Name</b>	<b>Installation quantity</b>
1	092062025ff	handle	1
2	092102120ff	cover	1
3	09141010390	seal	1
4	9090031350090	top	1
5	09141000390	seal	2
6	0924040251090	nipple	1
7	09311106390	pin	1
8	09110607210ff	spout	1
9	90230102202ff	aerator	1
10	09141013590	seal	1
11	092762012ff	rosette	1
12	0423100108890	fixing set	1

