

# ELKAY<sup>®</sup>

## SPECIFICATIONS

### Lustertone<sup>®</sup> Single Bowl Sink Packages Models LH and DLH Series

#### GENERAL

Highest quality sink seamlessly formed of #18 gauge, type 304 (18-8) nickel bearing stainless steel. Self-rimming.

Package includes LKD2432 faucet.

#### DESIGN FEATURES

Bowl Depth: 7-5/8" (LH1720C and LH1722C); 10-1/8" (DLH222210C); 12-1/8" (DLH252212C).

Coved Corners: 1-3/4" vertical and horizontal radius.

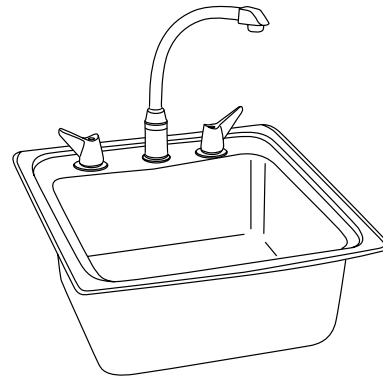
Bowl and Faucet Deck Recess: 3/16" below outside edge of sink.

Finish: Exposed surfaces are hand blended to a lustrous high-lighted satin finish.

Underside: Fully undercoated to dampen sound and prevent condensation.

#### OTHER

Drain Opening: 3-1/2".

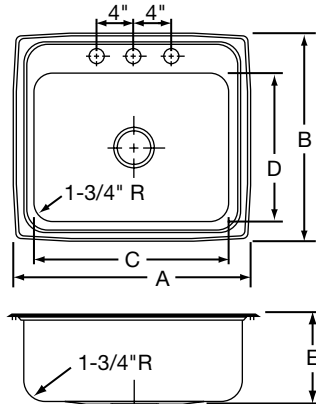


Model LH1722C

#### SINK DIMENSIONS (INCHES)\*

Sink Package Model Number	Overall		Inside Bowl			Cutout in Countertop (1 1/2" Radius Corners)		No. of 1 1/2" Dia. Faucet Holes 4" Center	Minimum Cabinet Size
	L	W	L	W	D	L	W		
	A	B	C	D	E	L	W		
LH1720C	17	20	14	14	7 5/8	16 3/8	19 3/8	3	21
LH1722C	17	22	13 1/2	16	7 5/8	16 3/8	21 3/8	3	21
DLH222210C	22	22	19	16	10 1/8	21 3/8	21 3/8	3	27
DLH252212C	25	22	21	15 3/4	12 1/8	24 3/8	21 3/8	3	30

\*Length is left to right. Width is front to back.



ALL DIMENSIONS IN INCHES, TO CONVERT TO MILLIMETERS MULTIPLY BY 25.4.

In keeping with our policy of continuing product improvement, Elkay reserves the right to change product specifications without notice.

This specification describes an Elkay product with design, quality and functional benefits to the user. When making a comparison of other producers' offerings, be certain these features are not overlooked.