



WIDE SPREAD KITCHEN FAUCET- Two Handle Kitchen WYKTxxBL/ WYKTSxxBL

Description

- 8" wide spread kitchen faucet "Wyndamere style"
- Rotating brass spout
- Ceramic disc cartridges
- Solid brass construction

Standards

- ASME A112.18.1 Compliant
- Listed IAPMO / UPC & CUPC
- ADA Accessibility Guidelines for Buildings and Facilities - 4.27.4 Controls and Mechanisms (lever handle only)
- NSF - 61-9 tested and approved
- CSA B125.1 Compliant and listed



Colors / Finishes

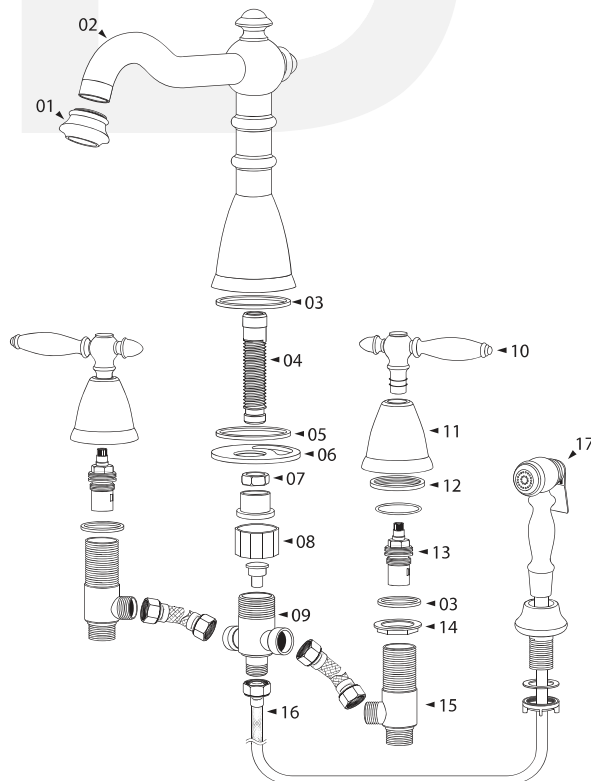
- 01 - Chrome
- 12 - Satin Nickel
- 20 - Antique Bronze
- 21 - Antique Brass
- 22 - Antique nickel
- 23 - Antique Copper
- 24 - Satin Copper
- 27 - Matte Nickel
- 28 - ORB
- 29 - Polished Nickel
- 70 - Polished Brass (PVD)
- 71 - Polished Nickel (PVD)
- 72 - Satin Nickel (PVD)
- 73 - Satin Brass (PVD)

Please add finish code when placing order for parts with using following finish code table. For example J handle in Chrome will be BJ-01, BJ-12 for Satin Nickel.

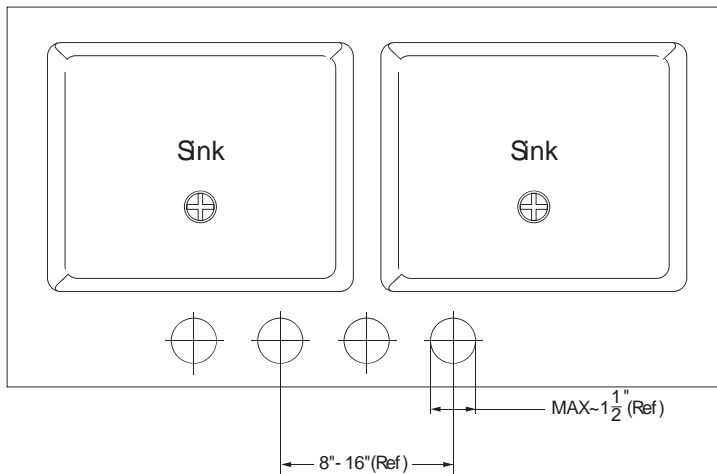
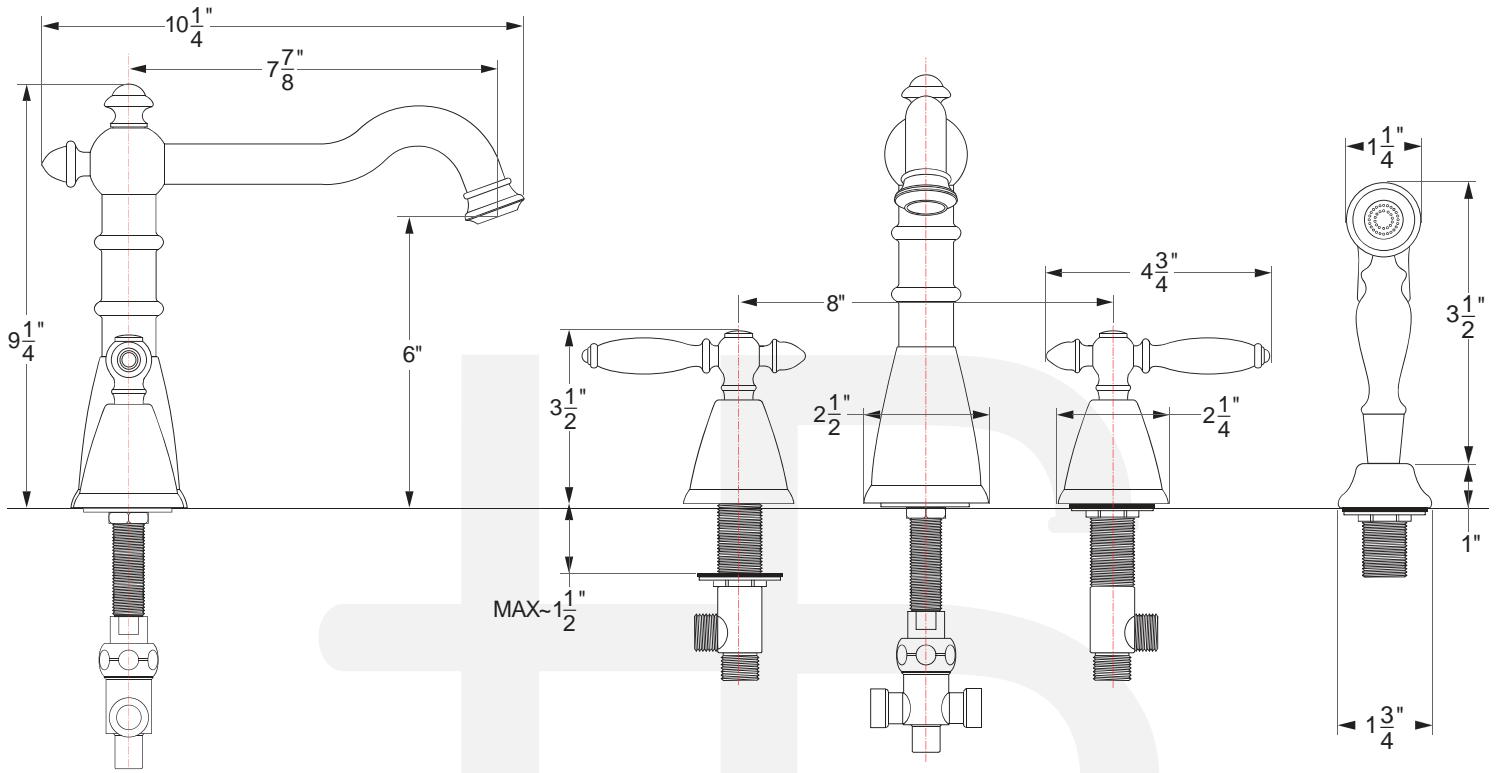


BREAK DOWN Component Parts List

| # | Part Name | QTY |
|----|---------------|-----|
| 01 | AERATOR | 1 |
| 02 | SPOUT / BODY | 1 |
| 03 | PACKING | 1 |
| 04 | OUTLET | 1 |
| 05 | RUBBER WASHER | 1 |
| 06 | METAL WASHER | 1 |
| 07 | NUT | 1 |
| 08 | ADAPTOR | 1 |
| 09 | T-CONNECTOR | 1 |
| 10 | HADNLE | 2 |
| 11 | HANDLE BASE | 2 |
| 12 | PACKING | 2 |
| 13 | CARTRIGDE | 2 |
| 14 | LOCK NUT | 2 |
| 15 | VALVE | 2 |
| 16 | HOSE | 1 |
| 17 | SIDE SPRAYER | 1 |



SPECIFICATION



| Item Number | Type | Date |
|-------------|---------|------------|
| WYKTS | Kitchen | 04/07/2006 |