

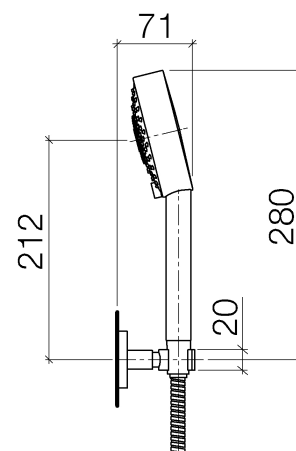
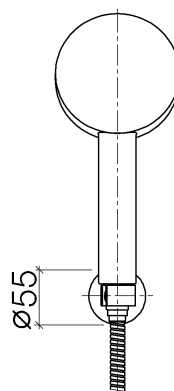


Product specifications

- Hand shower with three spray patterns (regular, soft and massage spray) with descaling system
- 3/8" x 1/2" x 49 1/4" shower hose with rotating hose connector
- Showerhead holder flange \varnothing 2 1/8"
- Water flow rate limited to max. 2 gpm

Only for combination with 33 200 885-FF / 33 300 885-FF / 34 200 979-FF / 34 440 979-FF / 28 450 625-FF

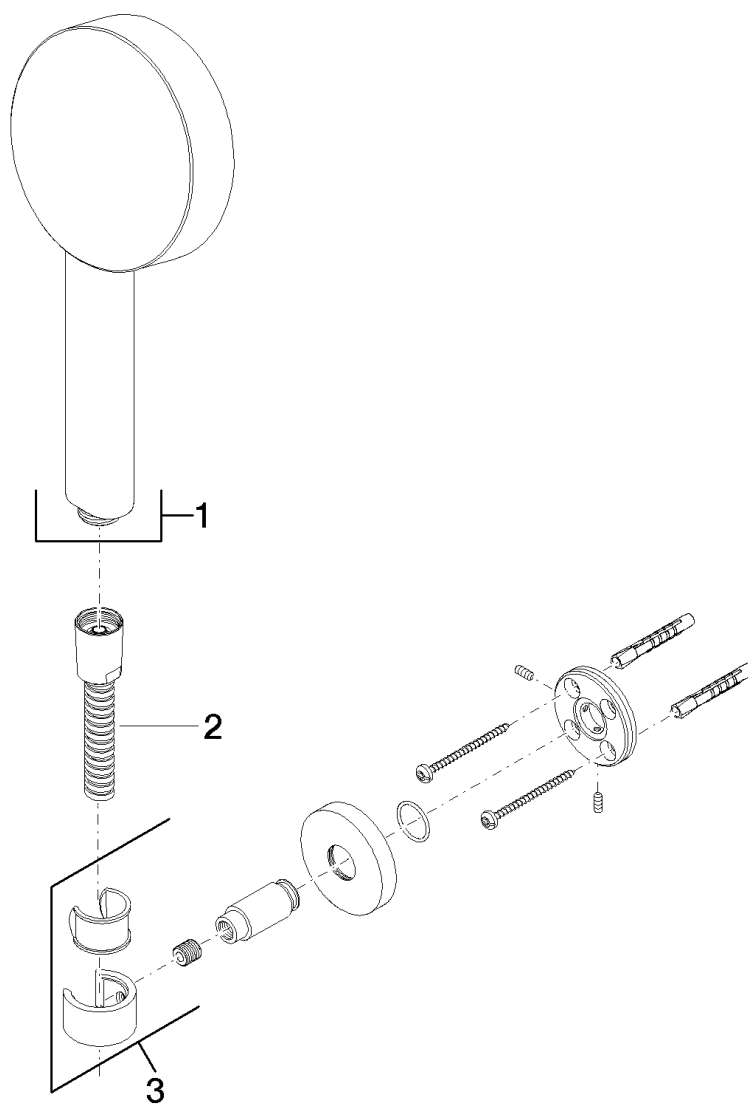
Optional wall elbow (28 450 SSS-FF) to be ordered separately



Surfaces

- | | |
|-----------------|-------------|
| • chrome | 27805625-00 |
| • chrome | 27805625-00 |
| • matt platinum | 27805625-06 |
| • matt platinum | 27805625-06 |

Exploded assembly drawing





Order quantity

No.	Article number	Name	Installation quantity
1	28011979ff	shower	1
2	093002072ff	hose	1
3	28050625ff	holder	1

