



Product specifications

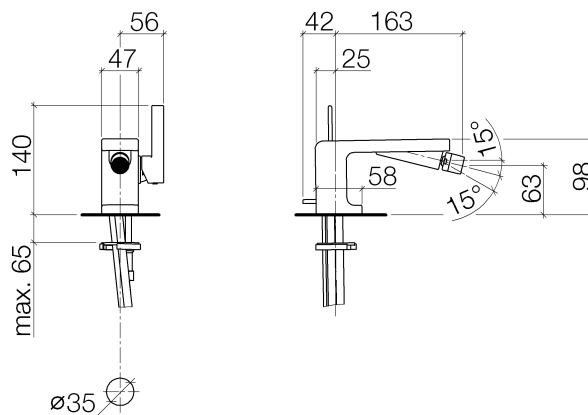
- **6 1/2" projection**

- Ceramic disc cartridge
- 2x M 8 x 1 flex lines
- Total height 5 7/8"
- Height to aerator/spout outlet 2 1/2"

- **US drain with overflow**

- Water flow rate limited to max. 1.85 gpm
- Aerator M 22 x 1 – IT with ball-and-socket joint M 14 x 1, can be swiveled 15°

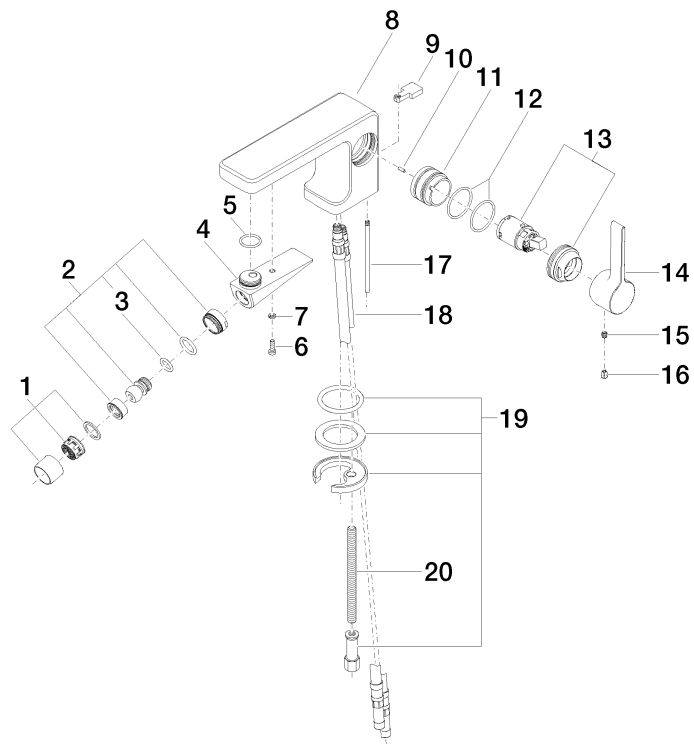
[ADA]



Surfaces

- | | |
|-----------------|-------------|
| • chrome | 33600710-00 |
| • chrome | 33600710-00 |
| • matt platinum | 33600710-06 |
| • matt platinum | 33600710-06 |

Exploded assembly drawing



Order quantity

No.	Article number	Name	Installation quantity
1	90230111902ff	aerator	1
2	04214000700ff	joint	1
3	09141001190	seal	1
4	091171080ff	spout	1
5	09141001090	seal	1
6	09303008090	screw	1
7	09301102990	disc	1
8	091971021ff	casing	1
9	092071030ff	handle	1
10	09311111190	pin	1
11	0918400951090	sleeve	1
12	09141013790	seal	2
13	90150504100ff	cartridge	1
14	092071040ff	handle	1
15	09311103090	pin	1
16	09312001790	plug	1
17	093109080ff	pull-rod	1
18	0430040180090	hose	2
19	0430110387590	fixing set	1
20	09311101290	pin	1
21	04240422200ff	adaptor	2
22	04233003101-07	threaded connector	2
23	09240422210ff	adaptor	2
24	04110102300ff	pop-up waste	1

