

Date:

Client:

Project:

VOLA product: RS2

**RS2**

Build-in tissue dispenser.

Build-in depth: 150 mm.

Diameter incl. ring: 286 mm.

Capacity 80-100 tissues. Size 85 mm x 210 mm.

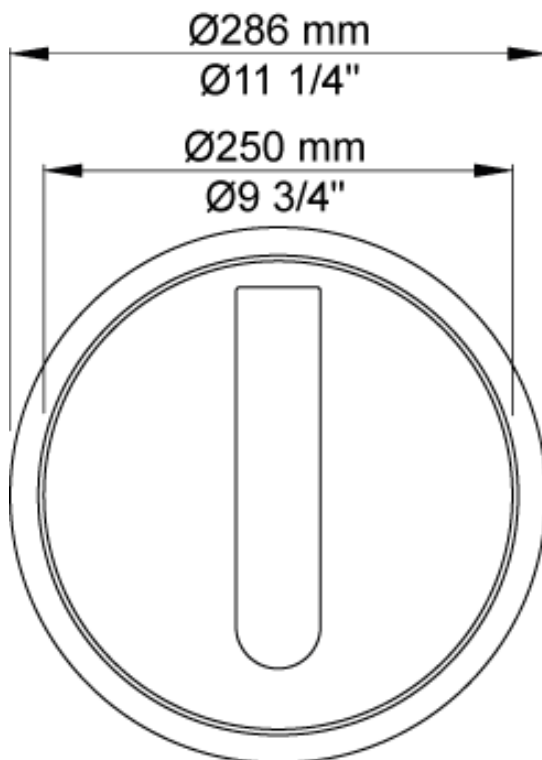
Type:

Tork no: 100297 ([www.sca-tork.com](http://www.sca-tork.com)).Lotus Professional no: 5892690 ([www.lotusprofessional.eu](http://www.lotusprofessional.eu)).Care Ness no: 114013 ([www.abena.dk](http://www.abena.dk)).

The visual part consists of:

Ring, material: High polished chrome, natural brass, brushed chrome, brushed stainless steel or 14 different colours.

Container, material frontplate: PC/ABS laquered.

**Available in colours**

Color 02, Grey

Color 04, Light blue

Color 05, Orange

Color 06, Light green

Color 08, Yellow

Color 09, Dark grey

Color 12, Mocca

Color 14, Bright red

Color 15, Dark blue

Color 16, Polished chrome

Color 17, Gloss black

Color 18, White

Color 19, Natural brass

Color 20, Brushed chrome

Color 21, Carmine red

Color 25, Pink

Color 27, Matt black

Color 40, Brushed stainless steel