

Product specifications

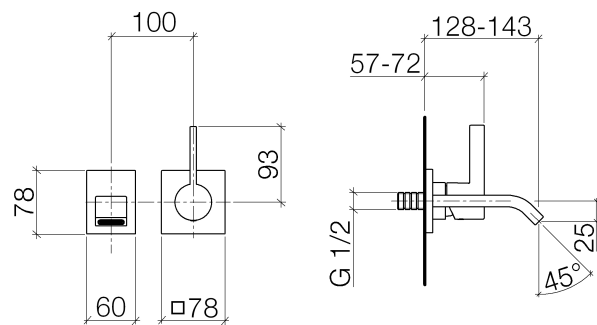
Exposed trim parts only, rough to be ordered separately

• 5 1/2" projection

- Fixed spout 1/2"
- Aerated flow
- Water flow rate limited to max. 1.5 gpm
- low lead compliant
- Flange for mixer 3 1/8 x 3 1/8"
- 3 1/8 x 2 3/8" flange for spout

Mixer can be positioned above, to the left or to the right of the spout.

[ADA]





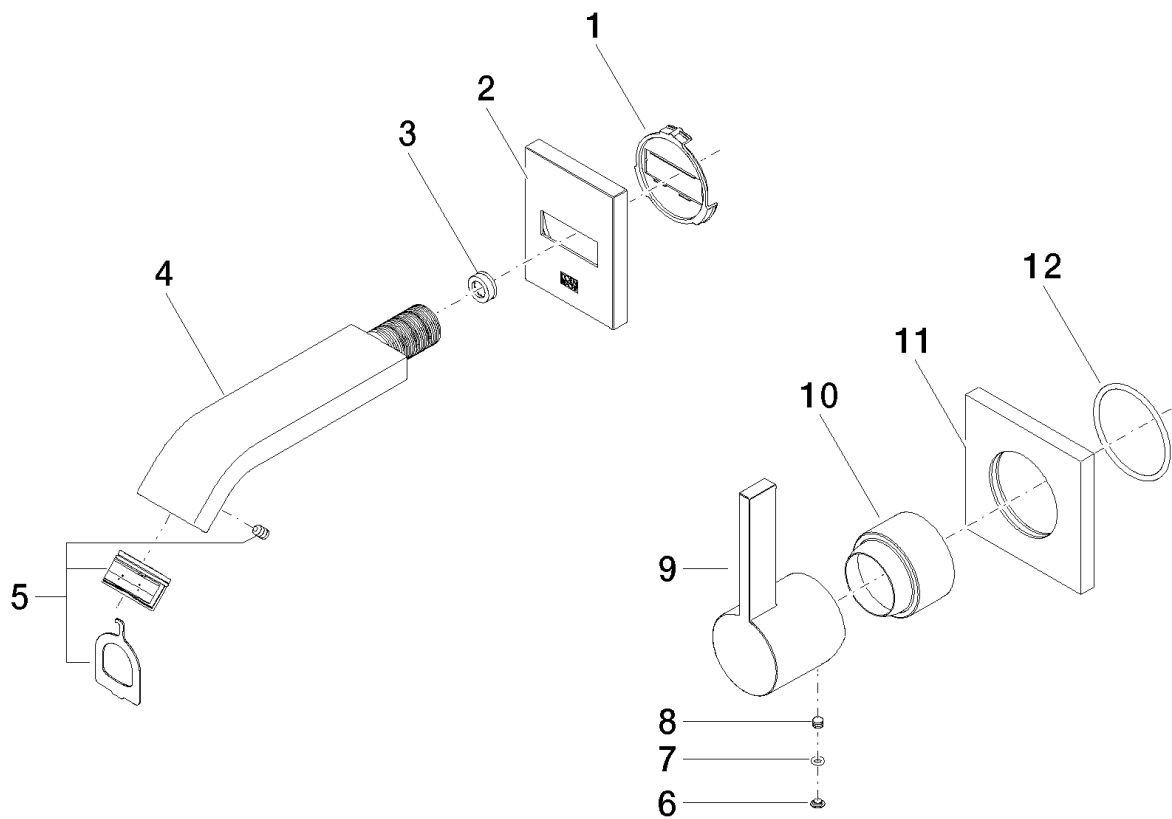
Surfaces

- chrome 36808670-00
- matt platinum 36808670-06

Accessories required

- Rough, handle on the right, spout on the left ;
35806970
- Rough, handle on the left, spout on the right;
35807970
- Rough, handle on the top, spout on the bottom;
35808970

Exploded assembly drawing



Order quantity

No.	Article number	Name	Installation quantity
1	09184013990	base	1
2	092767005ff	rosette	1
3	09230107990	flow reducer	1
4	04282224200ff	spout	1
5	9029030450090	aerator	1
6	093120087ff	plug	1
7	09141013390	seal	1
8	09311111290	pin	1
9	092067004ff	handle	1
10	091102021ff	cover	1
11	092767012ff	rosette	1
12	09141004990	seal	1

