

**FEATURES:**

This product meets and exceeds the following codes and standards:

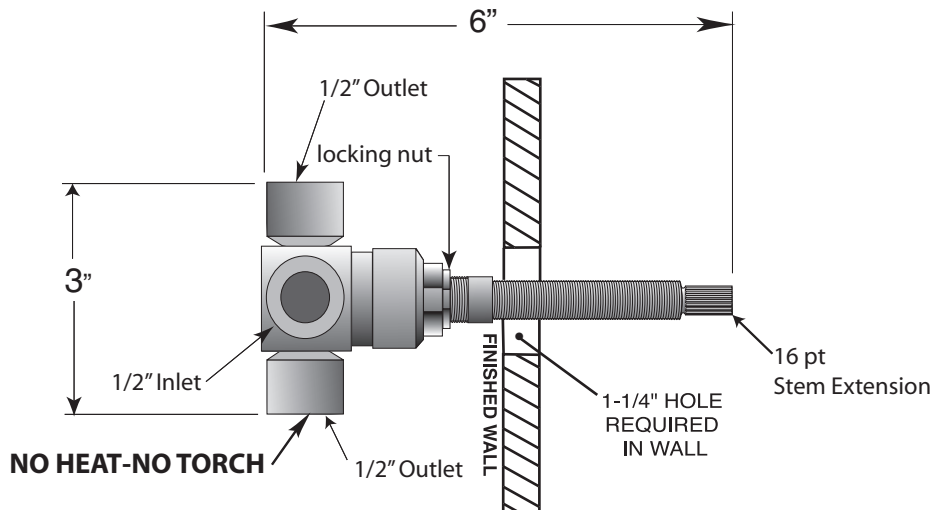
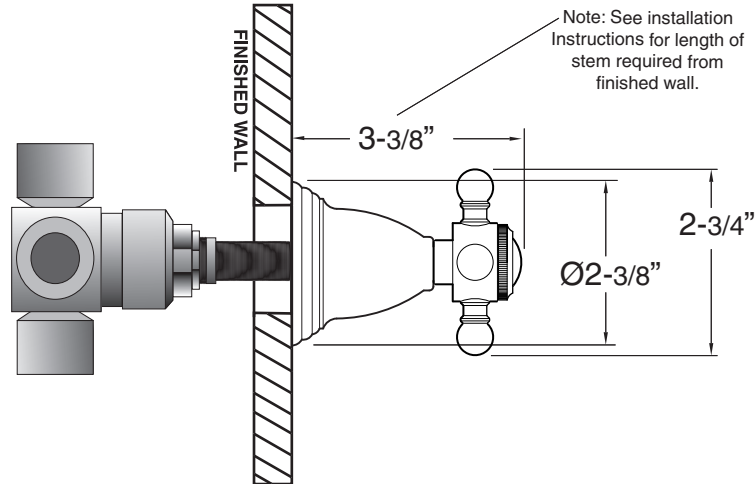
- ASME A112.18.1-2005/CSAB125.1-2005
- Replacement Cartridge: No. 18.30.012
- One 1/2" inlet & two 1/2" outlets

**3 Port In-Wall Diverter Valve & Trim**

**1.001489**

**Alexandria Handle**

**(1.001489T Trim Only)**



Note: Measurements are subject to change or cancellation. No responsibility is assumed for use of superseded or voided pages.