

FEATURES:

This product meets and exceeds the following codes and standards

- Meets: ASME A112.18.1-2005/CSAB125.1-2005
- Replacement Cartridge: No. 18.30.036

1/2" In-Line Shut-Off

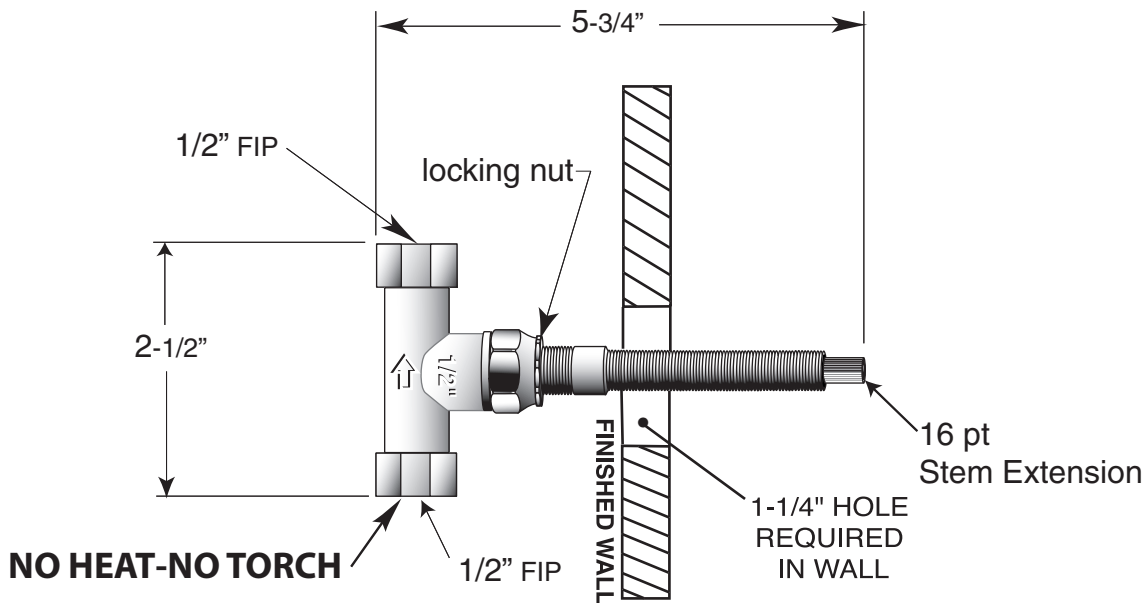
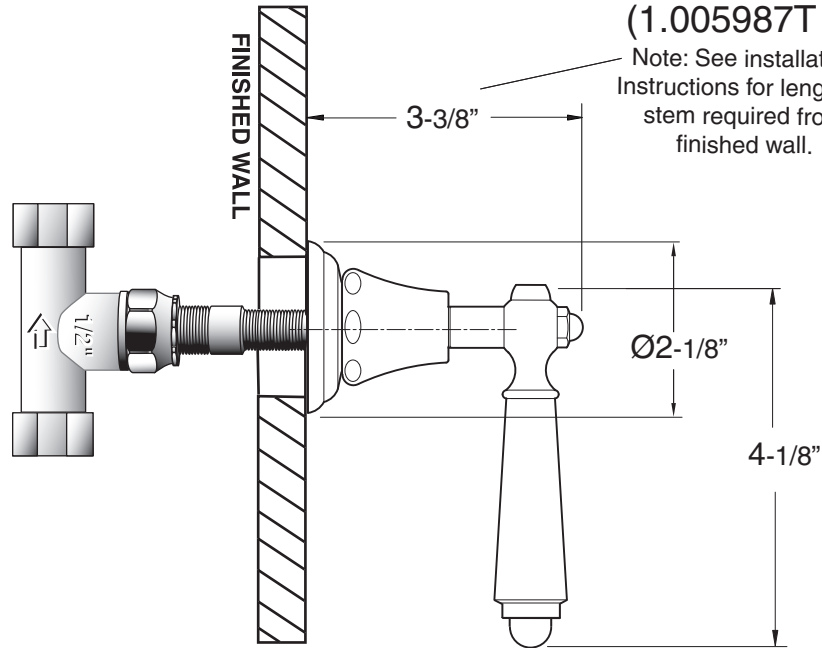
Valve & Trim

1.005987

Monte Carlo Handle

(1.005987T - Trim Only)

Note: See installation
Instructions for length of
stem required from
finished wall.



Note: Measurements are subject to change or cancellation. No responsibility is assumed for use of superseded or voided pages.