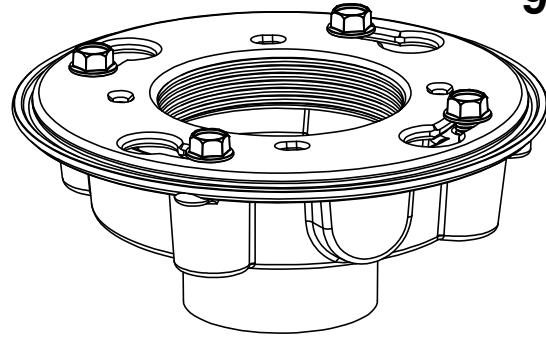




9179-PVC

Features

- Rugged white PVC construction - Drain Body
- Corrosion resistant mounting inserts and bolts
- Reversible membrane collar with weep holes to accommodate a variety of tile installations
- 2" & 3" PVC solvent joint connections
- Compatible with 9179 Brass Drain Throat and all StyleDrain Decorative Trim Grids. For complete selection, see www.calfaucets.com



Codes/Standards Applicable

- Specified model meets or exceeds the following:
- ASME A112.18.2/CSA B125.2

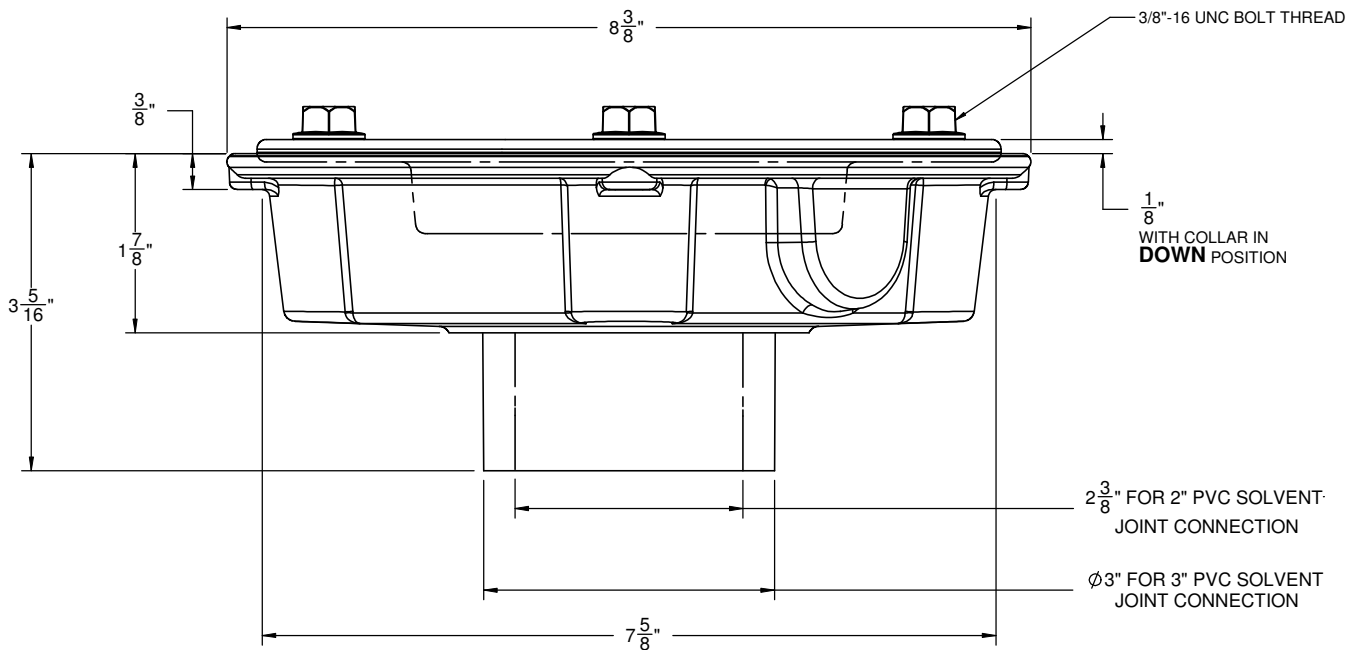


FIGURE 1. COLLAR IN DOWN POSITION

DIMENSIONS SHOWN TO NEAREST 1/16"

FIGURE 2. COLLAR IN UP POSITION

