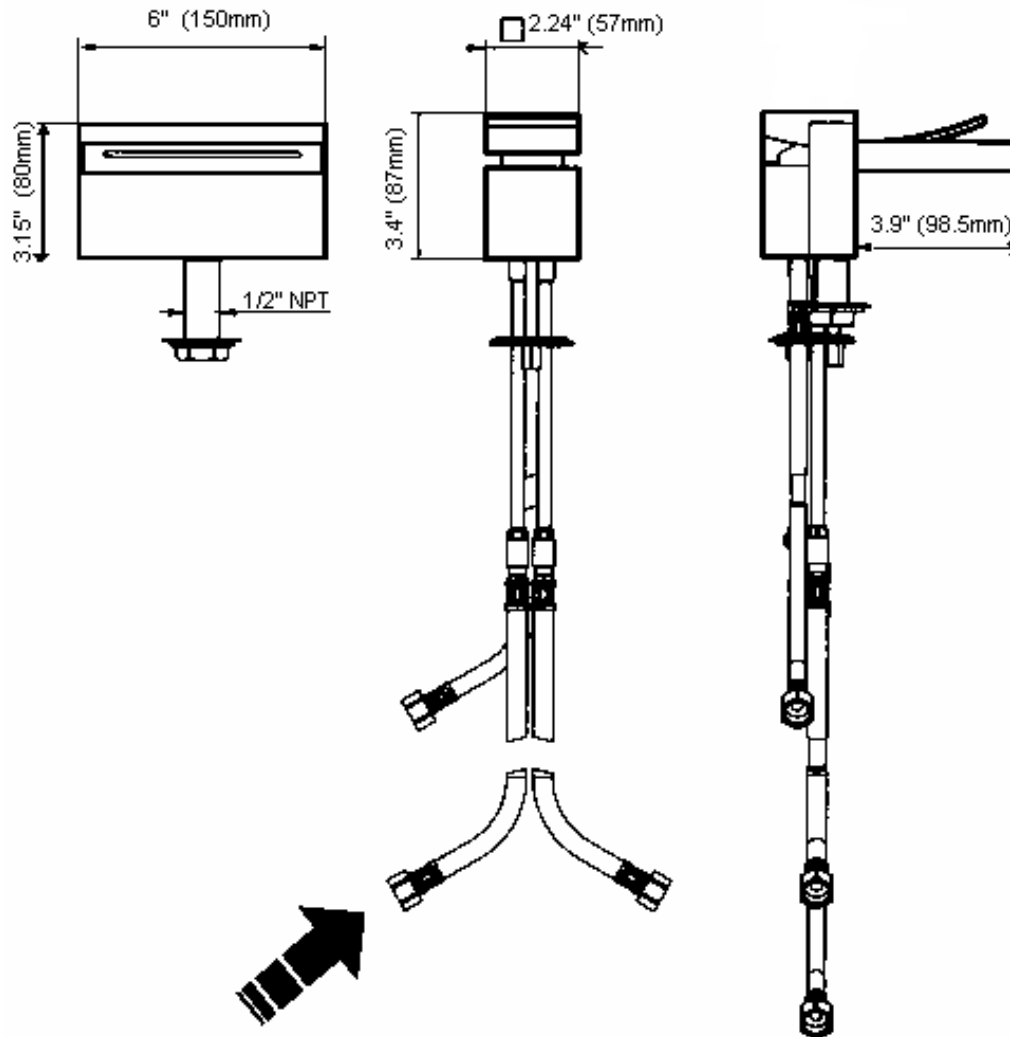


# ARTOS<sup>®</sup>

## Quarto 2 Hole Deck Mount Tub Filler

### F202-3



**25" high flow braided inlet hoses 1/2" FPT**

**WESTOVER**  
COMPANY

5708 F Street, Omaha, NE 68117 USA  
Tel: 402.397.3344 · Fax: 402.731.1473  
info@artos-westover.com