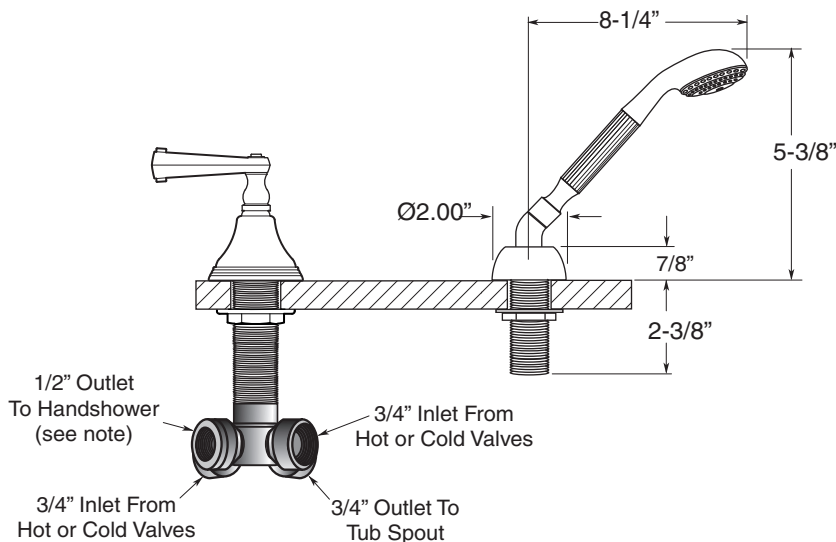
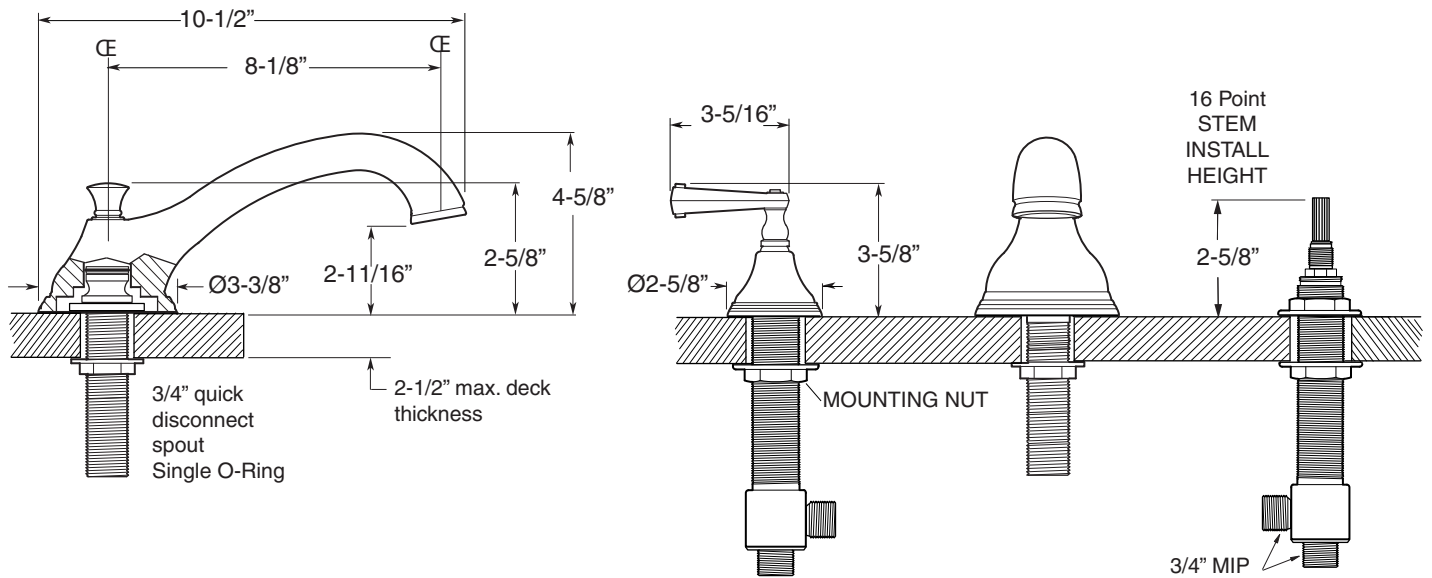


FEATURES:

- All brass construction.
- Curved lever style handles with setscrew attachment.
- 3/4" valve bodies with 1/4-turn ceramic disc cartridge.
- Available in all finishes. Warranty varies according to finish selection.
- Certified to meet and exceed the following codes and standards:
ASME A112.18.1-2005/CSAB 125.1-2005

Charlotte
Roman Tub Set with Deckmount
Handshower and Diverter
1.400493
(1.400493T - Trim only)



Spout and valves install through 1-1/4" diameter holes.
Plumber to provide 3/4" supply lines to valves

NOTE: 1/2" outlet for in-line vacuum breaker (18.15.055), and 60" chrome spiral hose (18.10.016) - INCLUDED

Note: Measurements are subject to change or cancellation. No responsibility is assumed for use of superseded or voided pages.

Series 400

Charlotte

Roman Tub Set with Deckmount
Diverter and Handshower

