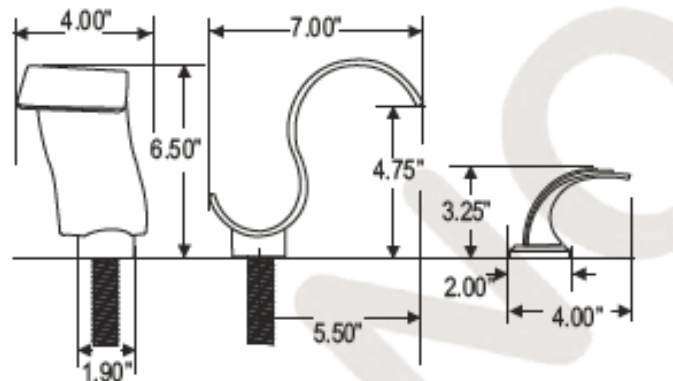




Codes and Standards

- NSF/ANSI 61
- ASME A112.18.1/CSA B125.1-11
- ADA
- IAPMO US AND CANADA



Color/Finishes

- Polished Chrome
- Refer to pricelist for other finishes.

ALTMANS RESERVES THE RIGHT TO MODIFY AND CHANGE SPECIFICATIONS AT ANY TIME. PLEASE VERIFY DIMENSIONS PRIOR TO INSTALLATION

Features and Benefits

- Brass Construction
- Flexible Connections
- 1/4 Turn Ceramic disc Cartridges
- 1LG2 Lift Drain with Overflow

Through-Hole Specification

Spout: $\text{O } 1 \frac{1}{4}''$ Max

Valve: $\text{O } 1 \frac{1}{4}''$ Max