

FEATURED MODEL

441504 Pull-Out Spray, CHROME

ADDITIONAL MODELS

441505 Pull-Out Spray, STAINLESS STEEL

FEATURES

- Solid brass body
- Meets CALGREEN requirements for water-saving usage
- Dual pull-down spray
- Ceramic disk cartridge
- 1.8 GPM flow rate saves 20% more water
- Installation in a 1-3/8" hole
- 180 degree spout swivel
- 2-1/4" maximum deck thickness
- * Stainless steel finish is a color co-ordinate and not actually made of or in stainless steel

OPTIONAL ACCESSORIES

Deluxe Soap Dispenser:	440006 (Chrome)
Meridian Soap Dispenser:	440059 (Chrome)
Alta Soap Dispenser:	440046 (Chrome)
Milano Soap Dispenser:	440050 (Chrome)
Harvest Soap Dispenser:	440054 (Chrome)

CODE/STANDARDS COMPLIANCE

ASME A112.18.1-2011

IAPMO listed

AB1953 Lead Free

WARRANTY

BLANCO'S kitchen and bar faucets feature a LIMITED LIFETIME WARRANTY to be free of all manufacturing defects under normal use. See our complete warranty for details.

While BLANCO endeavors to provide accurate information, all dimensions are nominal, cannot be guaranteed, and are subject to change or cancellation. BLANCO assumes no responsibility for use of superseded or voided specifications.

JOB INFORMATION

Job Name: _____

Contact: _____

Date Specified: _____

Specifier: _____

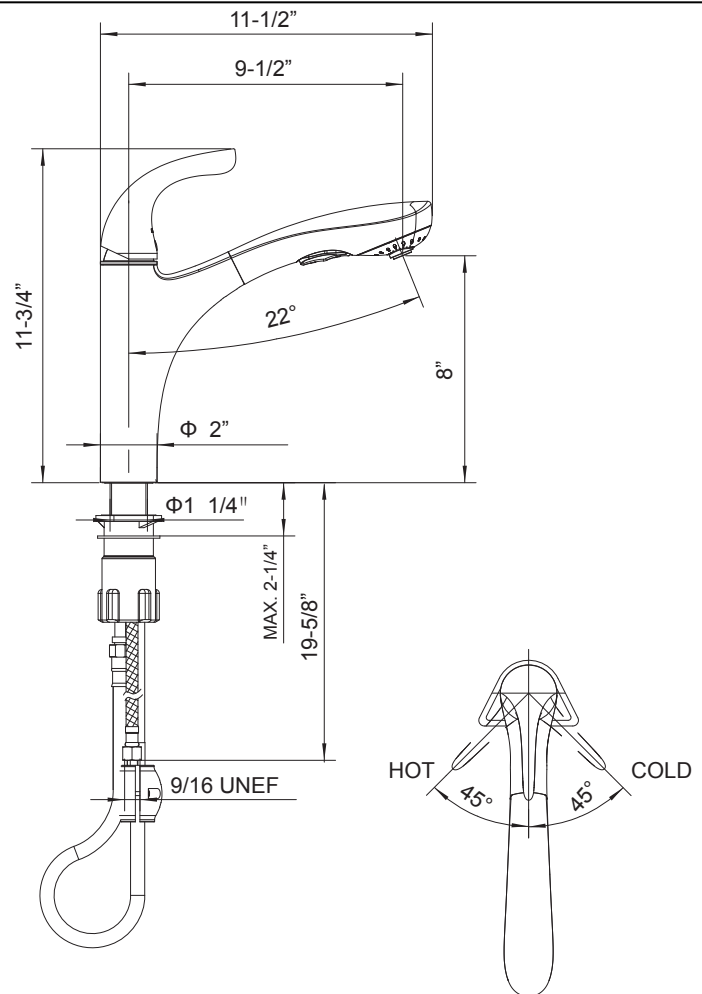
Contractor: _____



NOMINAL DIMENSIONS

Model 441504 shown

REACH	SPOUT HEIGHT	FAUCET HEIGHT
9-1/2"	8"	11-3/4"



See next page for exploded parts drawing and parts list.

BLANCO AMERICA

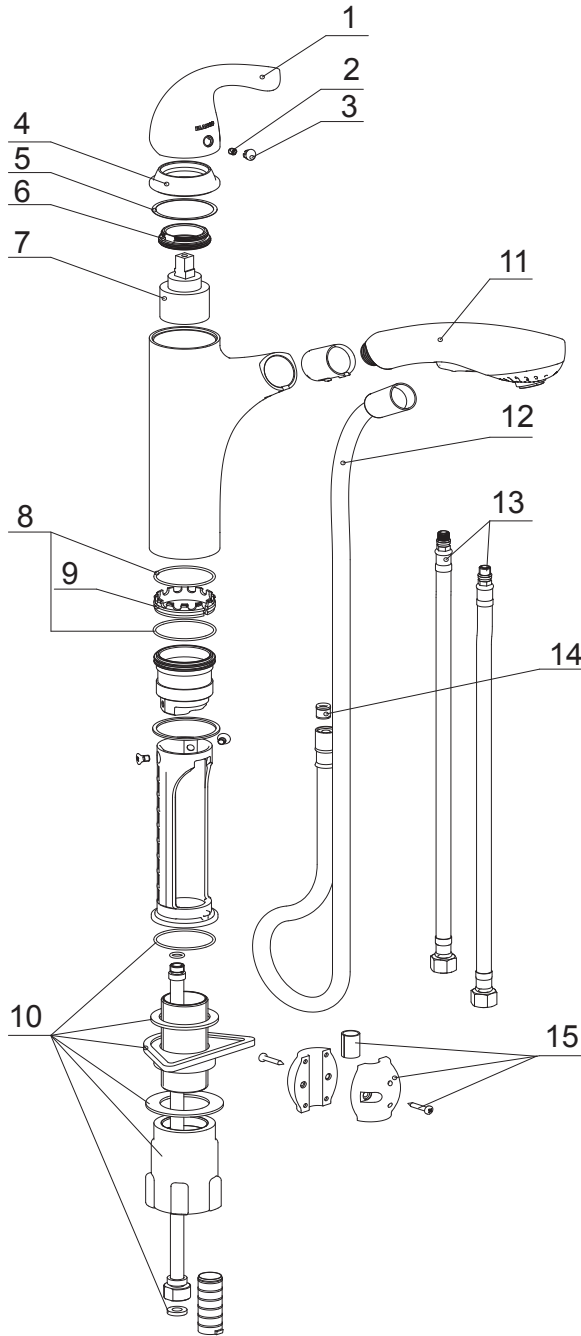
800.451.5782

www.blancoamerica.com

© 2013 BLANCO AMERICA

7/13

SPEC-003



REPAIR PART GUIDE		
Num.	Description	Part #
1	Handle - Chrome	441537
2	Handle - Screw	441539
3	Handle - Cap - Chrome	441540
4	Cartridge cap - Chrome	441541
5	Teflon ring	441543
6	Cartridge lock nut	441544
7	Cartridge	441545
8	Inner O-ring	441546
9	Cut ring	441547
10	Mounting assembly	441548
11	Handspray - Chrome 1.8	441551
12	Spray hose	441553
13	Supply lines	441554
14	Check valve	441555
15	Weight	441556

Need to Change a Faucet Cartridge?



Scan this QR code
to see our how-to video

Faucet hole Φ 1-3/8"

For faucet technical support or questions,
 please e-mail us at faucets@blancoamerica.com