

### FEATURES

---

- Integrated diverter
- Laminar flow
- Brass construction
- 1/2" NPT connection

### COLORS/FINISHES

---

- #CP Polished Chrome
- #BN Brushed Nickel
- #PN Polished Nickel



### CODES/STANDARDS

---

- Meets or exceeds ASME A112.18.1/CSA B125.1
- Certifications: IAPMO(cUPC), State of Massachusetts and others
- Code Compliance: UPC, IPC, NSPC, NPC Canada, and others



### PRODUCT SPECIFICATION

---

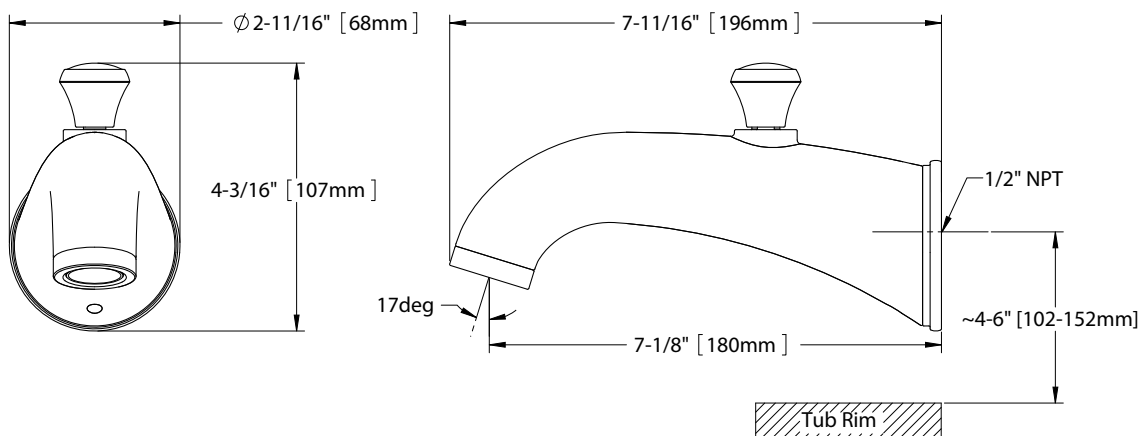
The tub spout shall have an integrated diverter and laminar flow. Product shall feature brass construction. Product shall have 1/2" NPT connection. Product shall be TOTO Model TS210EV#\_\_\_\_\_.

# TS210EV

## Silas™ Diverter Wall Spout

### SPECIFICATIONS

- Warranty Lifetime Limited Warranty (Residential Use)  
One Year (Commercial Use)
- Material Brass
- Shipping Weight 3.0 lbs.
- Shipping Dimensions 9-1/4" L x 4" W x 3-1/2" H



**TOTO®**

*These dimensions and specifications are subject to change without notice*