

ELKAY® SPECIFICATIONS

The Mystic® by Elkay Undermount Sink Model MYSTIC2114 Series

GENERAL

Highest quality contoured sink formed of #16 gauge, type 304 (18-8) nickel bearing stainless steel. Model MYSTIC211415 includes overflow assembly. Models MYSTIC211420CB and MYSTIC211435CB includes cutting board.

DESIGN FEATURES

Bowl Depth: 6".

Finish: Exposed surfaces are polished to a lustrous starburst satin finish.

Underside: Fully protected by heavy duty Sound Guard® under-coating designed to prevent condensation and dampen sound.

OTHER

Drain Opening: 1-1/2" (MYSTIC 211415), 2" (MYSTIC211420CB), 3-1/2" (MYSTIC211435CB).

MYSTIC211415 comes with an overflow assembly.

NOTE: All Elkay undermount sinks are designed to affix to the underside of any solid surface countertop.

Installation: See illustrated profile below.

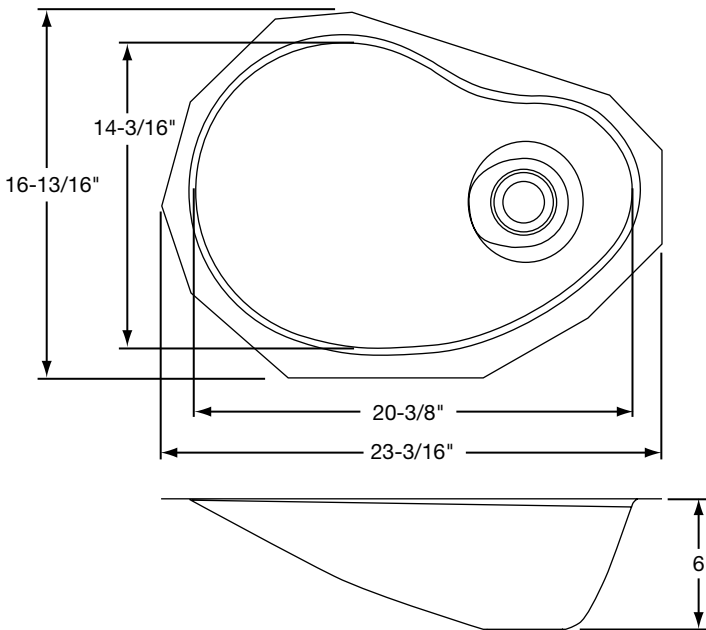
These sinks comply with ASME A112.19.3.

SINK DIMENSIONS (INCHES)*

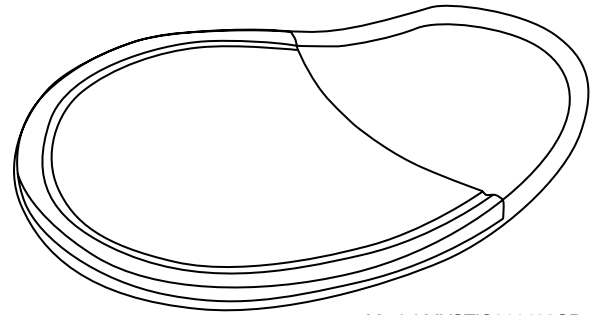
| Model Number | Overall | | Inside Bowl | | | Cutout in Countertop | Minimum Cabinet Size |
|----------------|---------------------------------|----------------------------------|--------------------------------|---------------------------------|---|----------------------|----------------------|
| | L | W | L | W | D | | |
| MYSTIC211415 | 23 ³ / ₁₆ | 16 ¹³ / ₁₆ | 20 ³ / ₈ | 14 ³ / ₁₆ | 6 | See Template** | 27 |
| MYSTIC211420CB | 23 ³ / ₁₆ | 16 ¹³ / ₁₆ | 20 ³ / ₈ | 14 ³ / ₁₆ | 6 | | 27 |
| MYSTIC211435CB | 23 ³ / ₁₆ | 16 ¹³ / ₁₆ | 20 ³ / ₈ | 14 ³ / ₁₆ | 6 | | 27 |

*Length is left to right. Width is front to back.

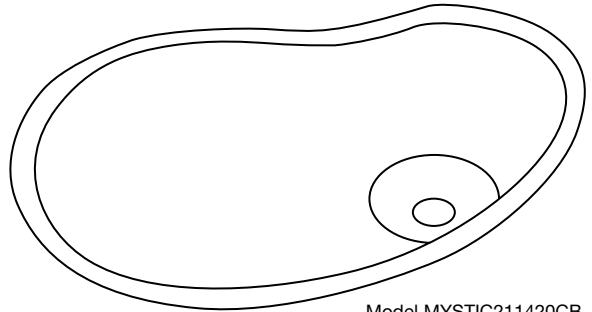
**Template and countertop mounting clips are packed with every sink.



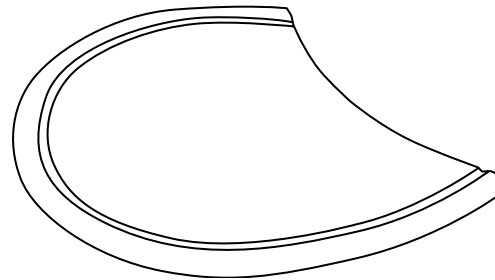
Model MYSTIC211415 Illustrated



Model MYSTIC211420CB



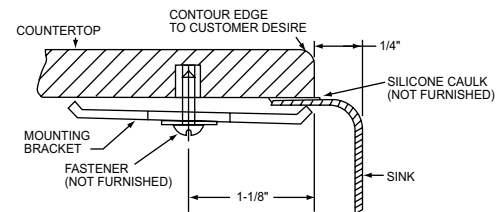
Model MYSTIC211420CB
(Without Cutting Board)



Cutting Board

Installation Profile

The template provided with each sink provides the only type of installation recommended by Elkay.



ALL DIMENSIONS IN INCHES, TO CONVERT TO MILLIMETERS MULTIPLY BY 25.4.

In keeping with our policy of continuing product improvement, Elkay reserves the right to change product specifications without notice.

This specification describes an Elkay product with design, quality and functional benefits to the user. When making a comparison of other producers' offerings, be certain these features are not overlooked.