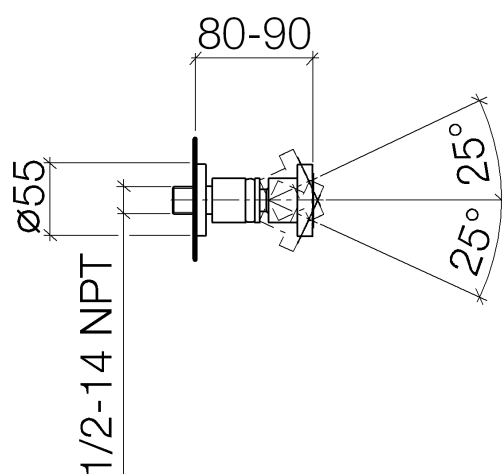




Product specifications

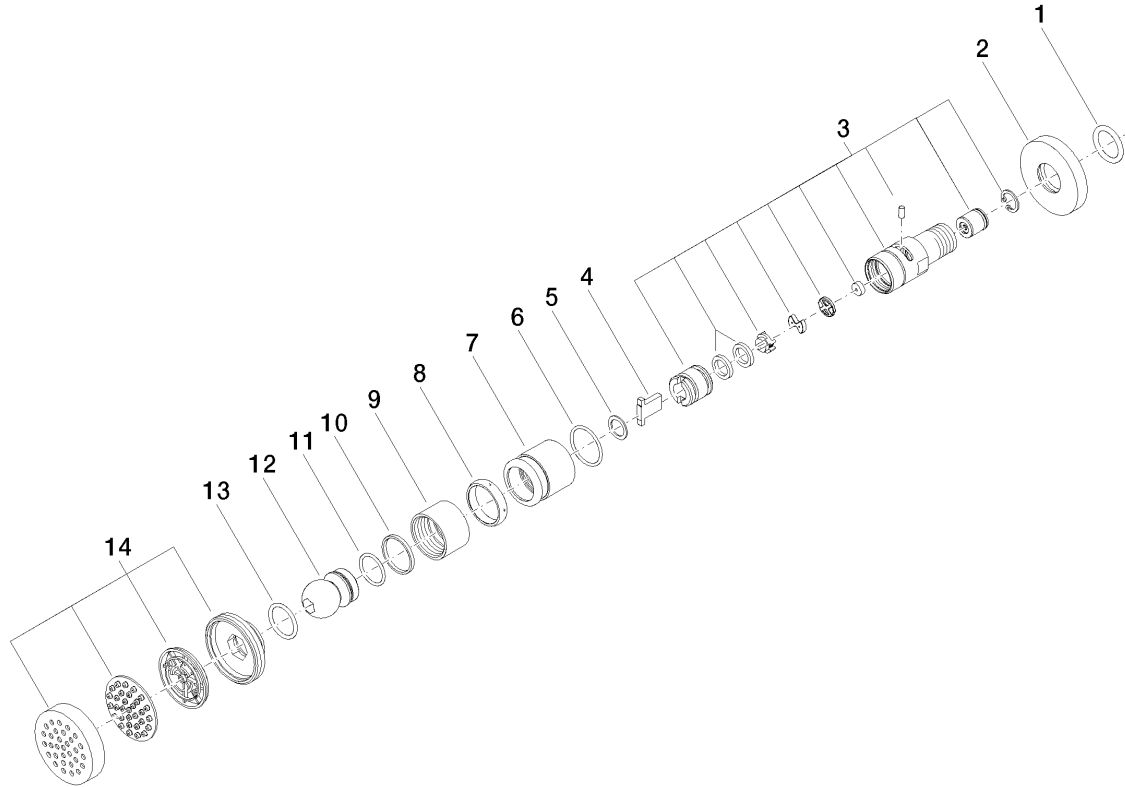
- Flange diameter 2 1/8"
- Descaling system
- 25° degree swivel in each direction
- Water flow rate limited to max. 2.11 gpm
- 1/2" connection
- Volume control with ceramic discs



Surfaces

- | | |
|-----------------|-------------|
| • chrome | 28519979-00 |
| • chrome | 28519979-00 |
| • matt platinum | 28519979-06 |
| • matt platinum | 28519979-06 |

Exploded assembly drawing



Order quantity

No.	Article number	Name	Installation quantity
1	09141002690	seal	1
2	092722003ff	rosette	1
3	90120801400ff	casing (completely)	1
4	09182001490	base	1
5	09141501190	ring	1
6	09141006390	seal	1
7	092810049ff	ring	1
8	09140302290	seal	1
9	092330026ff	nut	1
10	09141501090	ring	1
11	09141003190	seal	1
12	092140011ff	connection	1
13	09141001590	seal	1
14	90120502700ff	casing (completely)	1

