

**HAMILTON
62" ACRYLIC
SLIPPER TUB**

Cat. No.
AS7H62M



L: 61 1/4"
W: 28 1/2"
H: 23 1/4" - 29 1/2"

Water depth: 17 1/8" to top of tub

The following is recommended for AS7H tubs:

- Rim-mounted faucets: part #4601 or 7529
- Straight bath supplies: part #5577
- Leg tub drain: part #5599

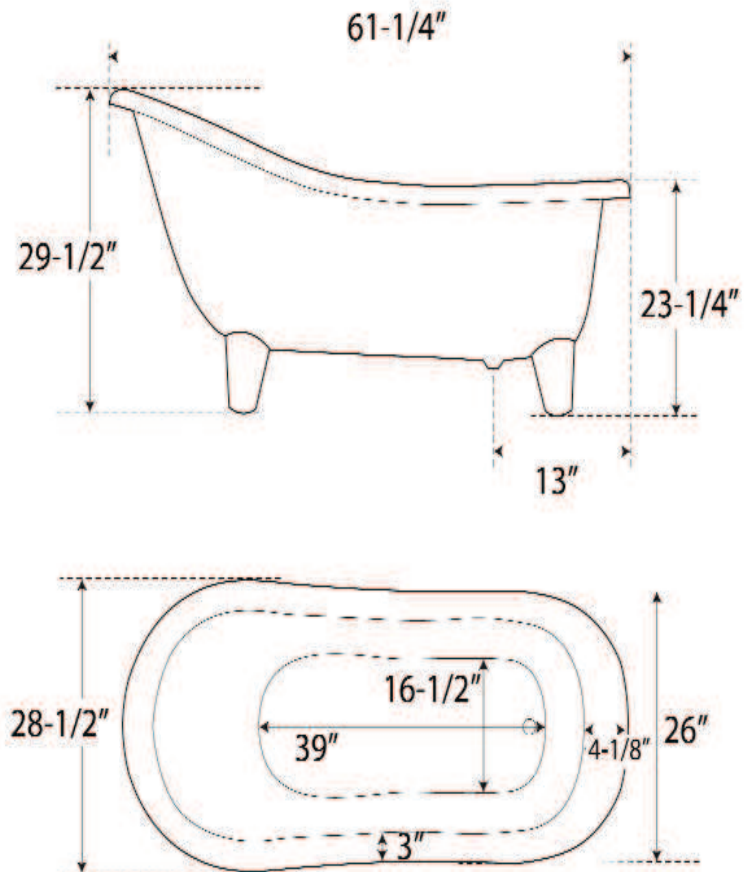
Gallon Capacity: 47
Shipping Weight: 425 lbs.
Empty Weight: 200 lbs.
Filled Weight: 593 lbs.

Features:

- ▶ Interior and exterior walls acrylic sheets
- ▶ Space between walls partially filled with fiberglass & resin
- ▶ Modern aluminum feet available in 3 finishes
- ▶ 7" centers in tub deck
- ▶ Tub feet are attached and leveled before shipment.
- ▶ Tub is thoroughly inspected before shipment

Feet Finishes:

BN Brushed Nickel **ORB** Oil Rubbed Bronze
CP Polished Chrome



Dimensions of fixture are nominal and specifications subject to change without notice.