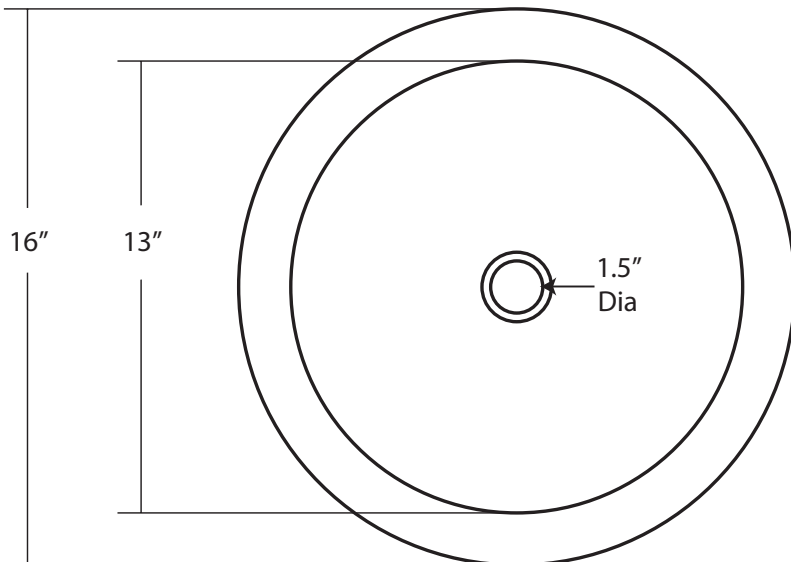


SPECIFICATIONS FOR
KOHANI



Top view



CPS255 - Antique
CPS555 - Brushed Nickel

PRODUCT DETAILS

- * 16" x 5" OD
- * 13" x 4.75" ID
- * Hand hammered 16 gauge recycled copper
- * 1.5" drain opening
- * Dimensions are not exact and may vary $\pm 1/2"$

INSTALLATION

- * Lavatory
- * Vessel

COORDINATING PRODUCTS

- * Drains: DR120, DR150 or DR160

STANDARDS COMPLIANCE

- * IAPMO Listed / cUPC

IMPORTANT

Due to the handcrafted nature of this product, it will vary in finish, texture, hammering, and other details. Dimensions may vary up to $1/2"$. We strongly recommend that you wait for the actual product before making any installation cuts.

Side view

