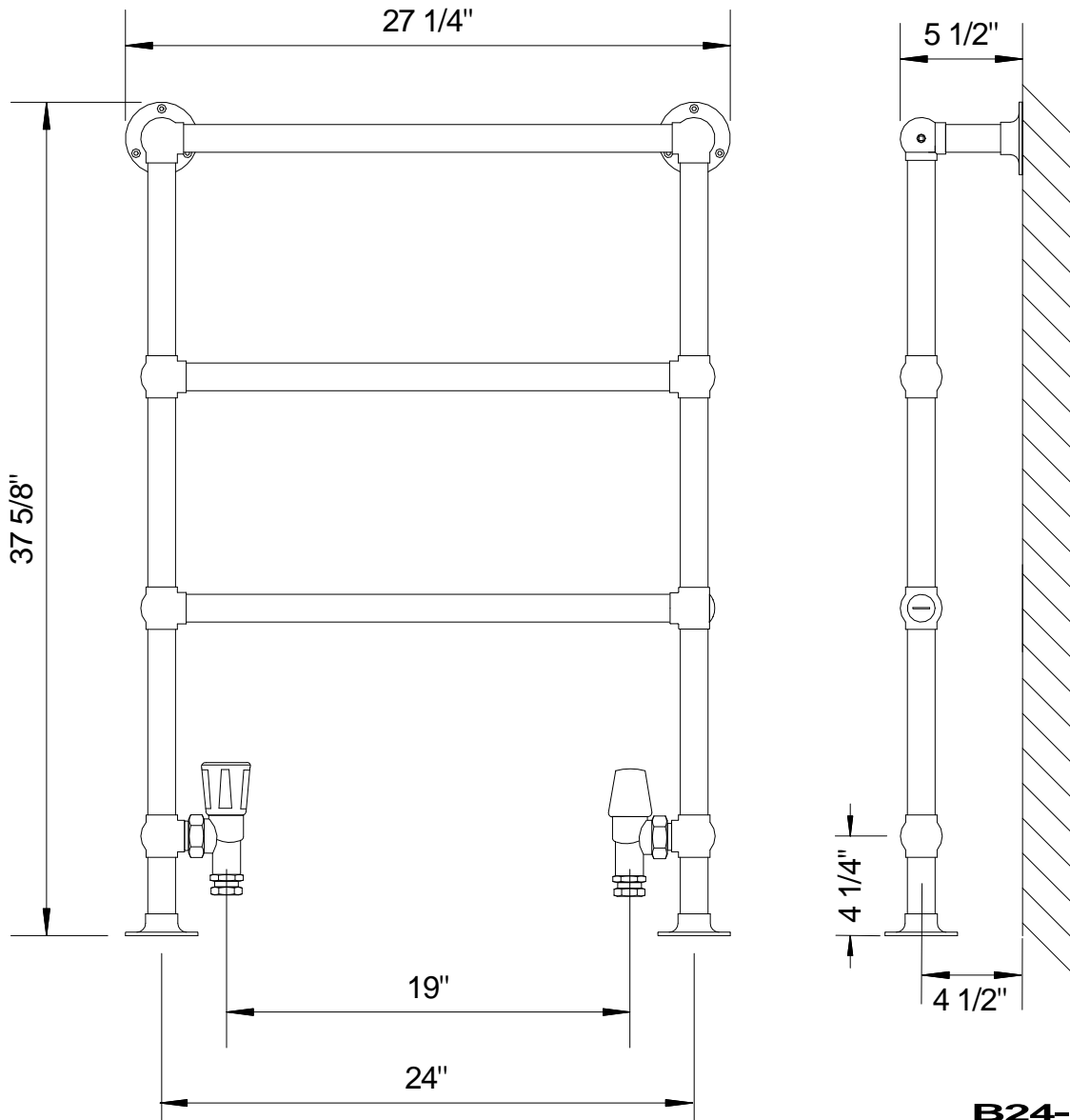




# Inn B24-1 Traditional HYDRONIC

## Technical Information

- . Dezincification Resistant Brass
- . 1-1/4" Diameter Brass Tubing
- . 1/2" Copper rough-in
- . Modern Valves
- . 507 BTUH @ 155 EWT
- . 50 lbs.



**B24-1**  
No Scale

REV A 9/15/09  
REV B 2/21/11