

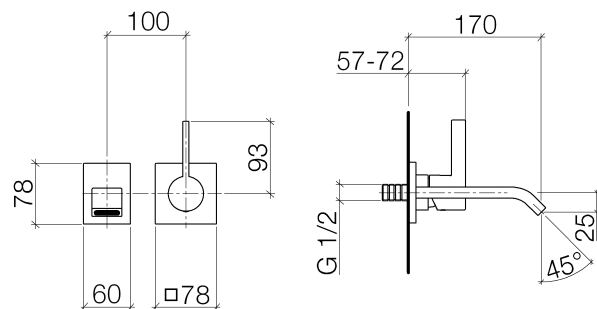
Product specifications

Exposed trim parts only, rough to be ordered separately

- **6 3/4" projection**
- Fixed spout 1/2"
- Aerated flow
- Water flow rate limited to max. 1.5 gpm
- low lead compliant
- Flange for mixer 3 1/8 x 3 1/8"
- 3 1/8 x 2 3/8" flange for spout

Mixer can be positioned above, to the left or to the right of the spout.

[ADA]





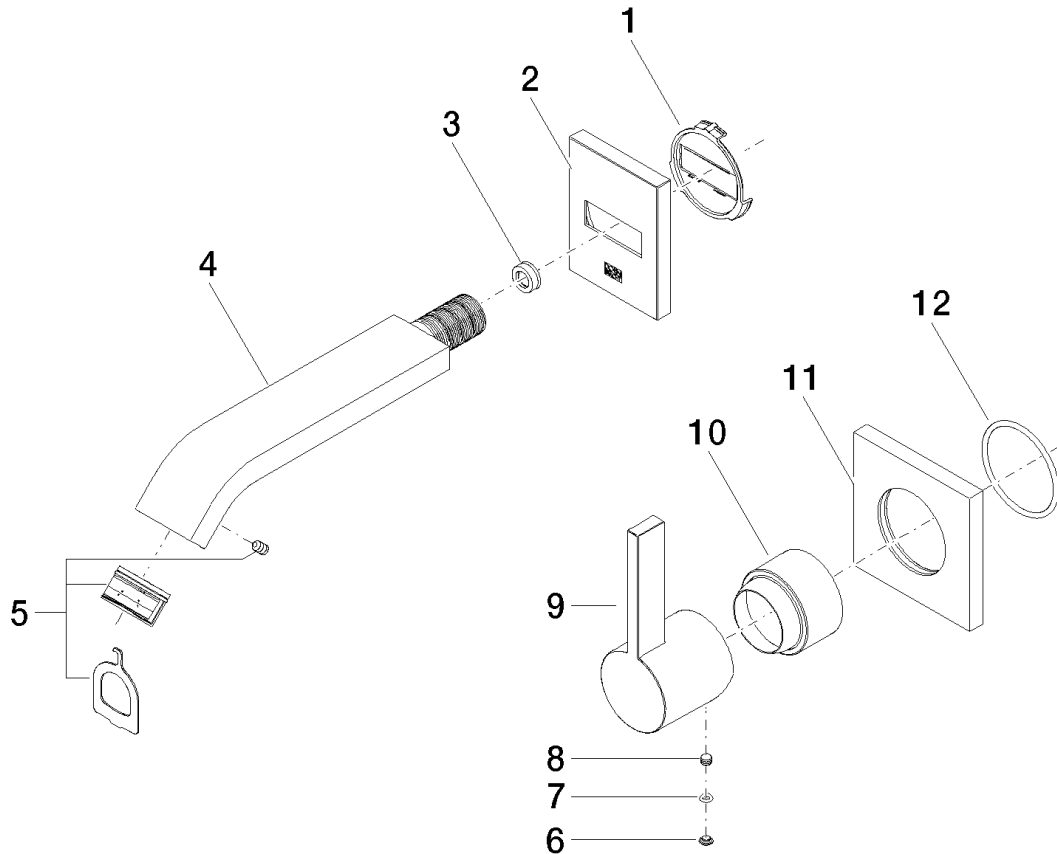
Surfaces

- chrome 36810670-00
- matt platinum 36810670-06

Accessories required

- Rough, handle on the right, spout on the left ;
35806970
- Rough, handle on the left, spout on the right;
35807970
- Rough, handle on the top, spout on the bottom;
35808970

Exploded assembly drawing



Order quantity

| No. | Article number | Name | Installation quantity |
|------------|-----------------------|--------------|------------------------------|
| 1 | 09184013990 | base | 1 |
| 2 | 092767005ff | rosette | 1 |
| 3 | 09230107990 | flow reducer | 1 |
| 4 | 04282224300ff | spout | 1 |
| 5 | 9029030450090 | aerator | 1 |
| 6 | 093120087ff | plug | 1 |
| 7 | 09141013390 | seal | 1 |
| 8 | 09311111290 | pin | 1 |
| 9 | 092067004ff | handle | 1 |
| 10 | 091102021ff | cover | 1 |
| 11 | 092767012ff | rosette | 1 |
| 12 | 09141004990 | seal | 1 |

