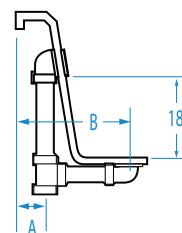
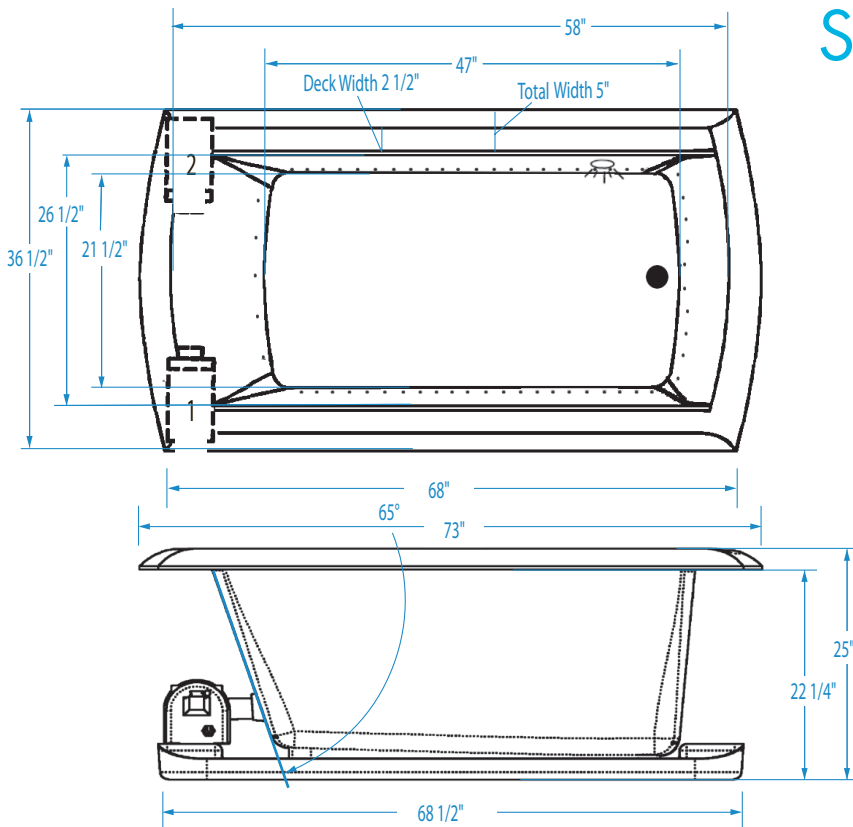


SERENITY 29 MOTIF

 73 x 36 1/2 x 25 (1855 x 930 x 635)
 inches (mm)

FEATURES lbs (kg) Dimensional Tolerance $\pm 3/8"$. Dimensions needed for site preparation should be measured from the unit. Aquatic assumes no responsibility for preparatory work.

Type and Model #	Material	System	Powered By	Heater	Controls	Drain	Pkg. Wt.
Soaker #AI29AIR7236TO	Acrylic	-	-	-	-	Universal	177 (80)
HotSoak #AI29AIR7236HS	Acrylic	Water circulation	Pump	1.5 kW Inline maintenance	Electronic	Universal	207 (94)
Air Bath #AI29AIR7236	Acrylic	Air channel	Variable speed blower	Integrated	Electronic	Universal	207 (94)
DriftBath #AI29AIR7236DB	Acrylic	Water circulation	Pump	Integrated	Electronic	Universal	218 (91)

DIMENSIONS inches (mm)

Width Overall / Net	Depth Overall / Net	Height Overall / Net	Skirt Height
73 (1855)	36 1/2 (930)	25 (635)	-

SUMP DATA inches (mm)

Capacity to Overflow gal (ltr)	Min. Operating Capacity gal (ltr)	WIDTH @ centerline		DEPTH @ centerline	
		Top	Bottom	Top	Bottom
93 (352)	-	58 (1475)	47 (1193)	26 1/2 (675)	21 1/2 (545)

PLUMBING DIMENSIONS inches (mm)

A	B	Drain Diameter / Clearance
5 1/2 (140)	13 1/2 (345)	

ELECTRICAL DATA

Component	Specification	Requirement
Heated Blower (Air Bath)	10.5 AMP; 120V	15 AMP; 120V, separate circuit; Class A GFCI
Pump (HotSoak)	1/15 HP; 1.3 AMP; 120V	20 AMP; 120V, separate circuit; Class A GFCI
Heater (HotSoak)	1.5 kW; 12 AMP; 120V	
Pump (DriftBath)	3/4 HP; 8.8 AMP; 120V	15 AMP; 120V, separate circuit; Class A GFCI

NOTES:

1) Where applicable, utilize cut-out templates packed with unit for deck cutouts.

2) 16 x 16 (405 x 405) minimum access required at pump/blower location(s).

Each Serenity air bath is equipped with an air heating system to raise the temperature of the air entering the bath. This air temperature will be lower than the bathing temperature of the water, but will help reduce rapid decrease in water temperature. In addition, the air coming from the air jets will feel cool against the skin. This system does not heat the water.