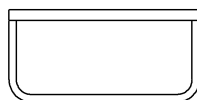
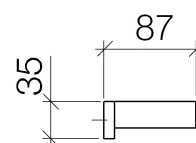
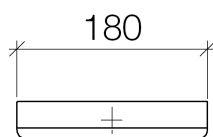




Product specifications

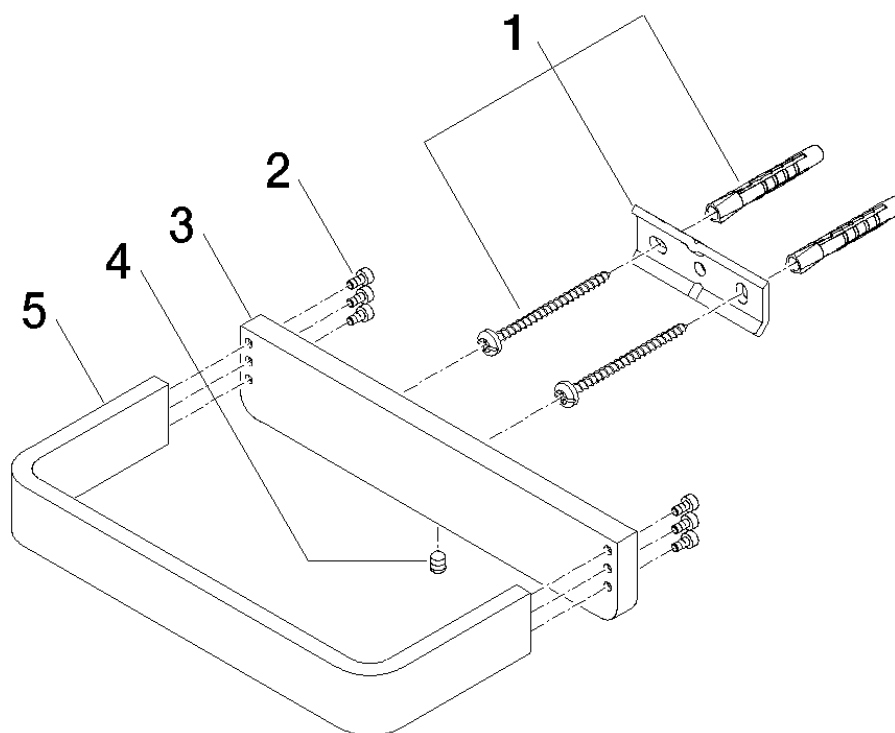
- Width 7 1/8"
- 3 3/8" projection



Surfaces

- | | |
|-----------------|-------------|
| • chrome | 83200710-00 |
| • chrome | 83200710-00 |
| • matt platinum | 83200710-06 |
| • matt platinum | 83200710-06 |

Exploded assembly drawing





Order quantity

No.	Article number	Name	Installation quantity
1	0517207180090	fixing set	2
2	9030300590090	screw	2
3	081771502ff	holder	1
4	09311111290	pin	2
5	081771552ff	holder	1