

### Toilet Tissue Holder **2808**

#### Features

- Solid brass construction
- Double-post design with spring-loaded, non-separating roller
- Complements Surface product series

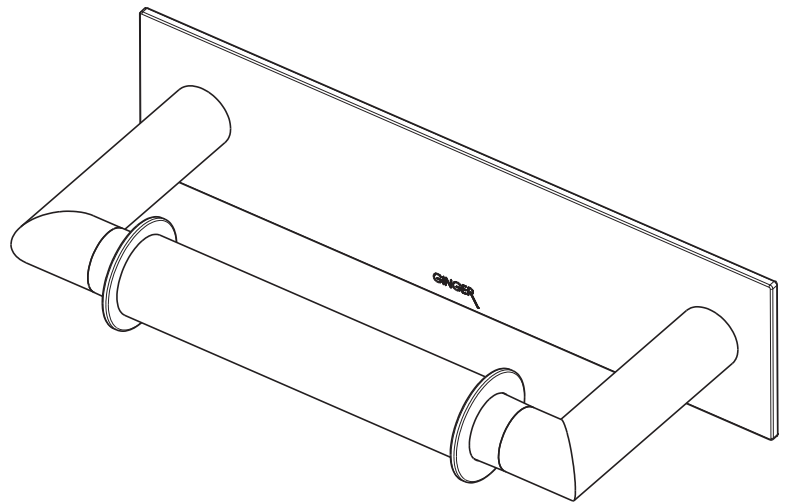
#### Codes / Standards Compliance

Meets or exceeds the following at date of manufacture:

- All applicable US Federal and State material regulations

#### Colors / Finishes

- PC: Polished Chrome
- SN: Satin Nickel



#### Specified Model

Model	Description	Colors   Finishes
2808	Toilet Tissue Holder	<input type="checkbox"/> PC <input type="checkbox"/> SN

#### Product Specification: Add "Color / Finish" Suffix to Model Number Below.

The Toilet Tissue Holder shall be made of solid brass construction and incorporate a double-post design utilizing a non-separating, spring-loaded roller. Toilet Tissue Holder shall complement Ginger Surface product series. Toilet Tissue Holder shall be Ginger Model 2808/\_\_\_\_\_.

# 2808

**Product Dimensions** *(units are in inches)*

