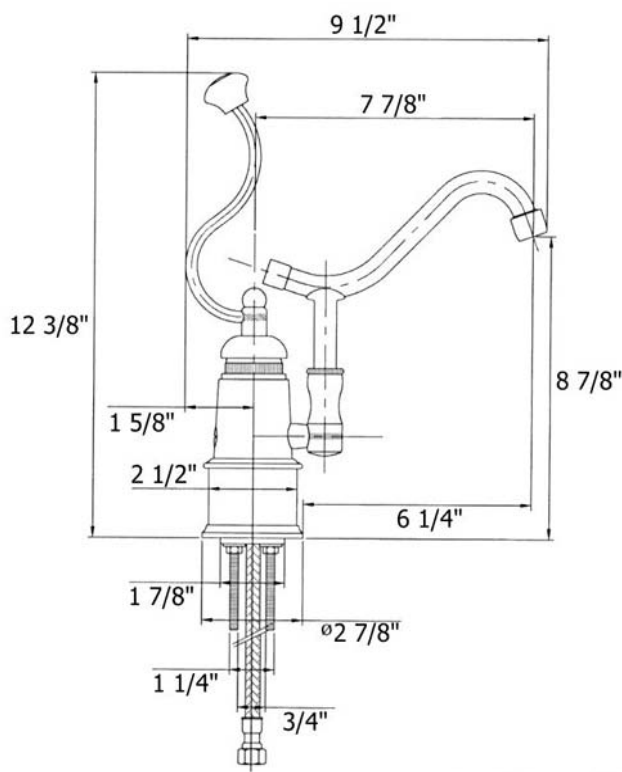


# 4101 - 'De Dion' Single Lever Mixer



Hole Drilling = 1 1/4"

| Part# | Description                                  |
|-------|--|
| 25    | Lower Body                                   |
| 26    | Lower Escutcheon                             |
| 27    | Rubber Washer                                |
| 29    | 3/8" X 12" Flexible Supply Hoses With O-Ring |
| 30    | Threaded Stems                               |
| 31    | Mounting Plate                               |
| 32    | Brass Washer                                 |
| 33    | Brass Nut                                    |
| 34    | Rubber O-Ring                                |
| 91    | De Dion Complete Handle Set                  |
| 94    | Spout Assembly                               |

## Technical Information

- Faucet Body Requires 1 1/4" Hole Drilling
- Flow Rate Is 2.2 GPM
- For complete De Dion handle set, please order part #95012763XX (63=WOOD HANDLE, XX=FINISH CODE) OR 95012720XX(20=CERAMIC HANDLE, XX=FINISH CODE)
- If Counter Is Thicker Than 1 3/4", Part #30 (Threaded Stem) Must be Special Ordered in a Longer Length.
- 3/8" X 12" Flexible Hose Connections
- Available finishes are Polished Brass(55), Polished Nickel(56), Brushed Nickel(57), Polished Copper & Brass(58), Weathered Copper & Brass(59), Satin Nickel(60)
- Please See Cleaning Instructions for Finish Care and Maintenance Information
- Faucet Ships With Wood Handles (63). Specify (20) For Ceramic Handles

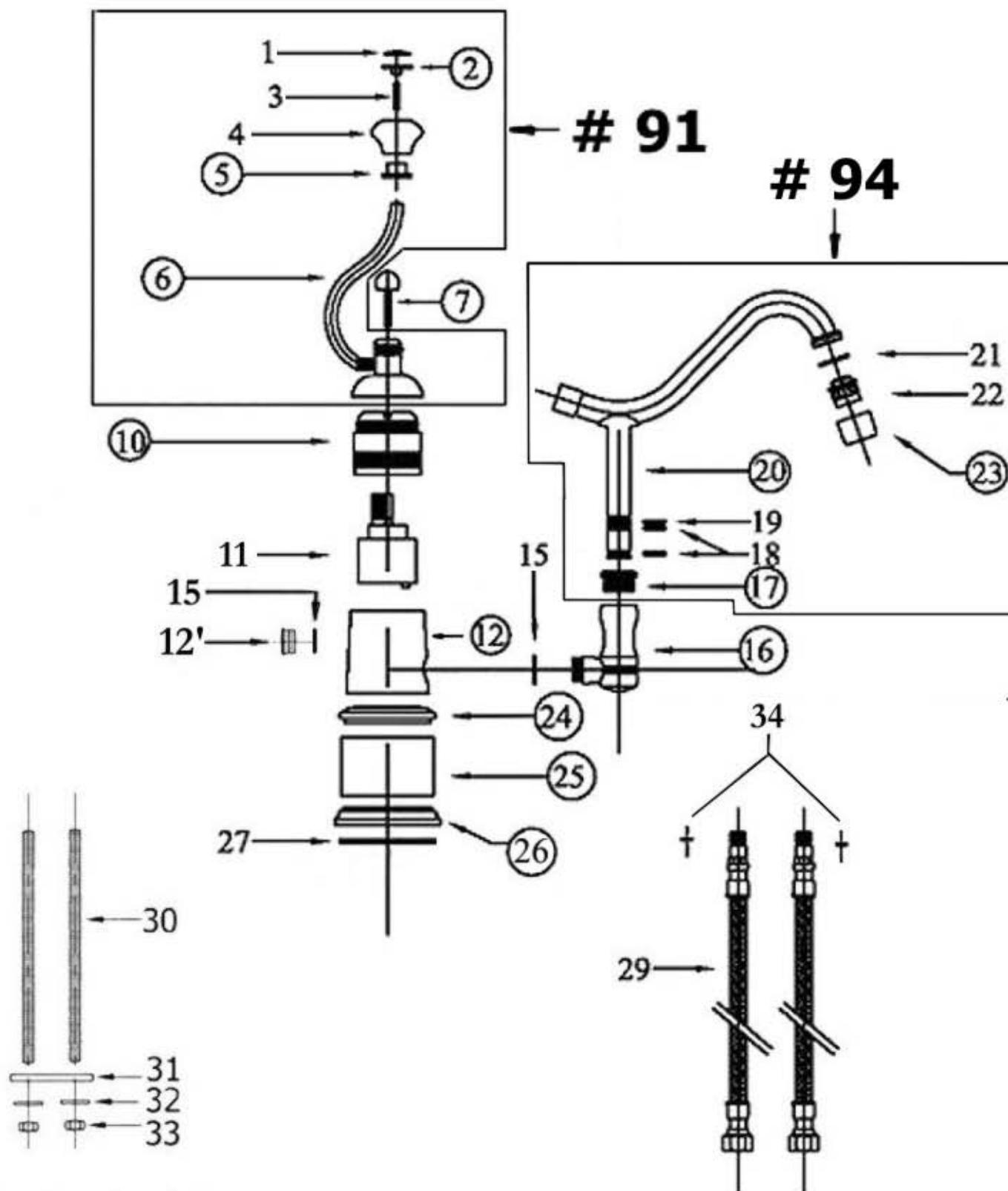
| Part# | Description                      |
|-------|----------------------------------|
| 1     | Ceramic Insert                   |
| 2     | Dec. Finished Nut                |
| 3     | Threaded Stem                    |
| 4     | Finished Wood Knob               |
| 5     | Finished Metal Sleeve            |
| 6     | Handle Stem                      |
| 7     | Round Screw                      |
| 10    | Cartridge Holding Nut            |
| 11    | Ceramic Cartridge                |
| 12    | Upper Body (New Spec)            |
| 12'   | Diverter Access Screw (Old Spec) |
| 15    | Rubber O-Ring                    |
| 16    | Spout Elbow                      |
| 17    | Swan Nut                         |
| 18    | Spout O-Ring                     |
| 19    | Nylon Clip                       |
| 20    | Spout                            |
| 21    | Aerator Washer                   |
| 22    | Aerator Filter                   |
| 23    | Aerator Cover                    |
| 24    | Upper Escutcheon                 |

Please follow example when ordering parts for 'De Dion' Single Lever Mixer

- To order part #20 – **SPOUT**
  - 9410120 xx
- Please substitute finish number needed in place of **XX**.
- To order a part that is not finished use **00**

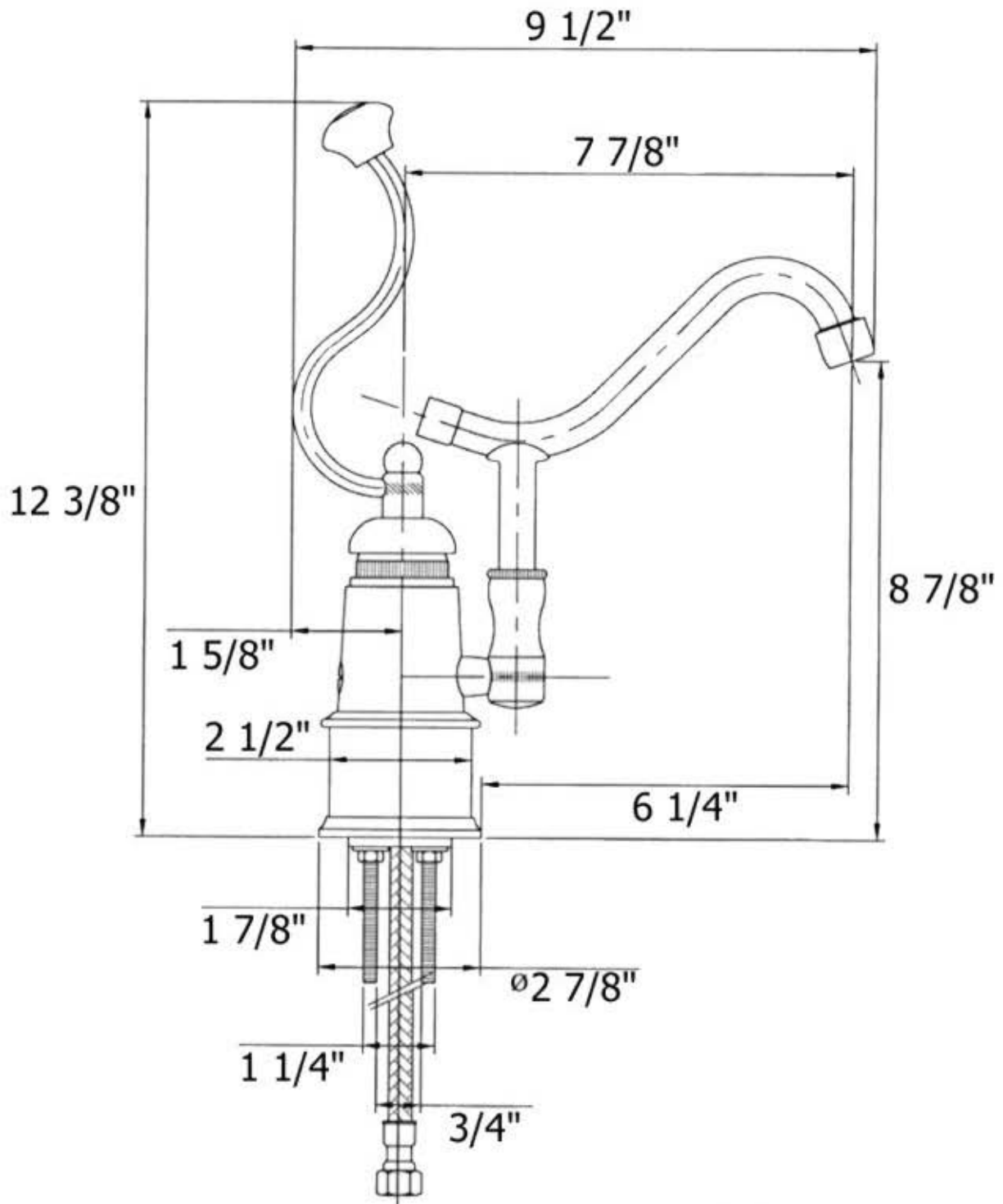


# 4101 - 'De Dion' Single Lever Mixer



○ - Finished Pieces

# 4101 - 'De Dion' Single Lever Mixer



Hole Drilling = 1 1/4"