

Features

- Solid brass construction
- Brass valve bodies
- Quarter-turn washerless ceramic disc valve cartridges
- ADA compliant handles
- Spout assembly with integral supply hoses
- Pop-up drain with tailpiece
- 1-5/16" (3.3 cm) spout height at outlet
- 5-9/16" (14.1 cm) spout reach (c-c)
- For 8" (20.3 cm) centers - Maximum 20" (50.8 cm)
- 1.5 gallons (5.7 liters) per minute maximum flow rate

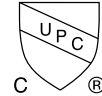
Codes / Standards Compliance

Meets or exceeds the following at date of manufacture:

- ASME A112.18.1/CSA B125.1
- IAPMO/UPC
- IPC
- NSF 61
- ADA
- ICC/ANSI A117.1
- Energy Policy Act of 1992
- All applicable US Federal and State material regulations
- EPA WaterSense®

Widespread Lavatory Faucet

1620



Colors / Finishes

- 10B: Oil Rubbed Bronze
- 15: Polished Nickel
- 15S: Satin Nickel
- 26: Polished Chrome
- Other: Refer to the Newport Brass catalog for additional color/finish options.

Specified Model

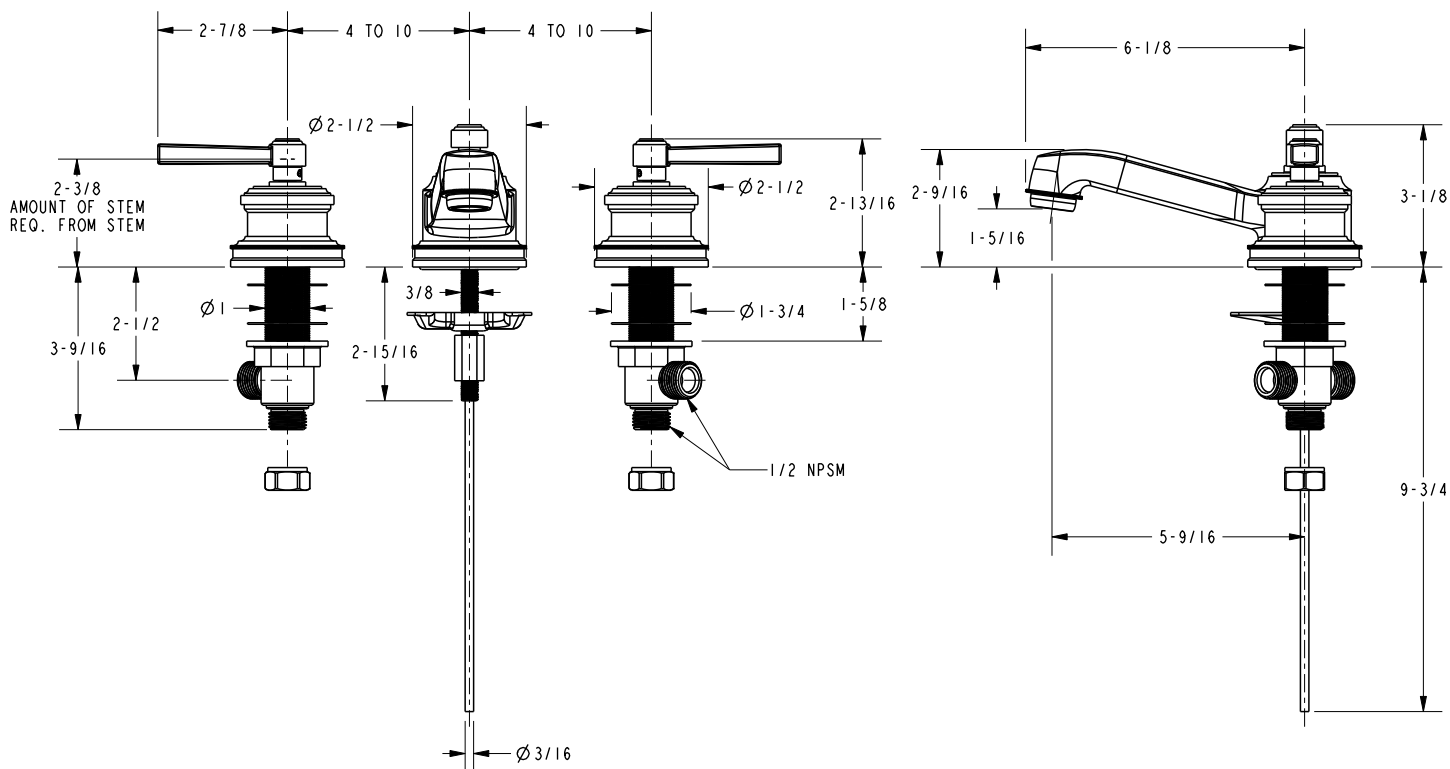
Model	Description	Colors / Finishes				
1620	Widespread Lavatory Faucet	<input type="checkbox"/> 10B	<input type="checkbox"/> 15	<input type="checkbox"/> 15S	<input type="checkbox"/> 26	<input type="checkbox"/> Other

Product Specification:

Add "Color / Finish" suffix to Model number, below.

The two-handle Widespread Lavatory Faucet shall be made of solid brass construction. Faucet shall feature brass valve bodies. Faucets shall feature quarter-turn washerless ceramic disc valve cartridges. Faucet shall have a 1.5 gallon (5.7 L) per minute maximum flow rate. Product shall be for 8" centers (20.3 cm) - Maximum 20" (50.8 cm). Product shall have a 1-5/16" (3.3 cm) spout height at outlet, 5-9/16" (14.1 cm) spout reach (c-c), include a pop-up drain with tailpiece and ADA compliant handles. Faucet shall be Newport Brass Model 1620/_____.

Product Dimensions *(units are in inches)*



Miro Widespread Lavatory Faucet 1620