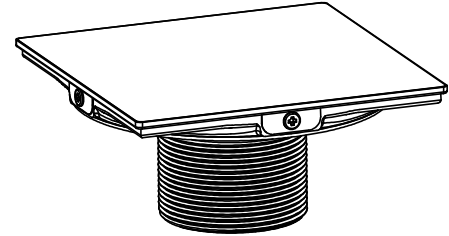


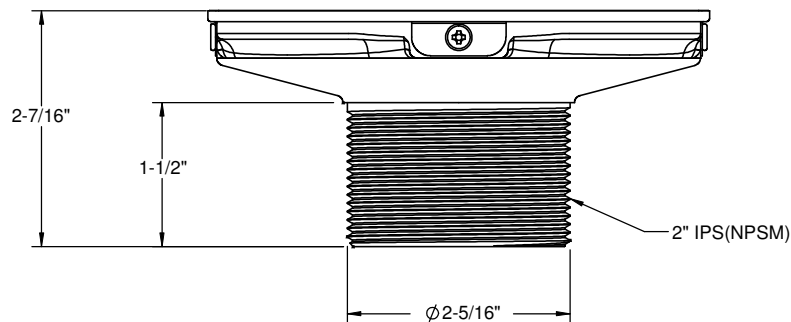
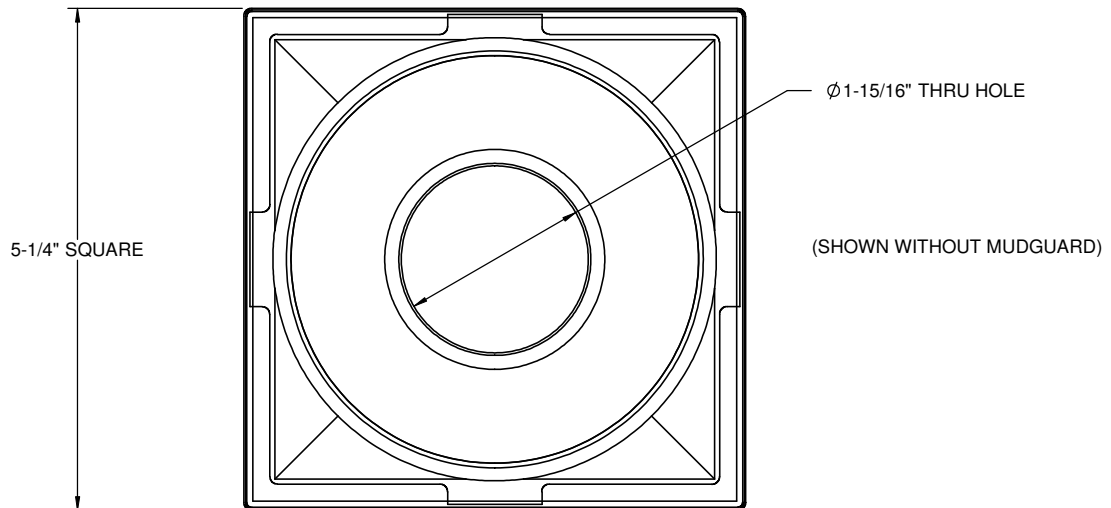
Features

- Rugged ABS construction - Throat
 - Stainless steel tile frame with brass screws
 - Protective plastic mudguard
 - 2" IPS(NPS - straight pipe) thread throat which is compatible with many common ABS & PVC shower drain bodies
 - Compatible with all StyleDrain Decorative Trim Grids
- For complete selection, see www.calfaucets.com



Codes/Standards Applicable

- Specified model meets or exceeds the following:
- ASME A112.18.2/CSA B125.2



DIMENSIONS SHOWN TO NEAREST 1/16"