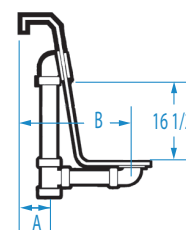
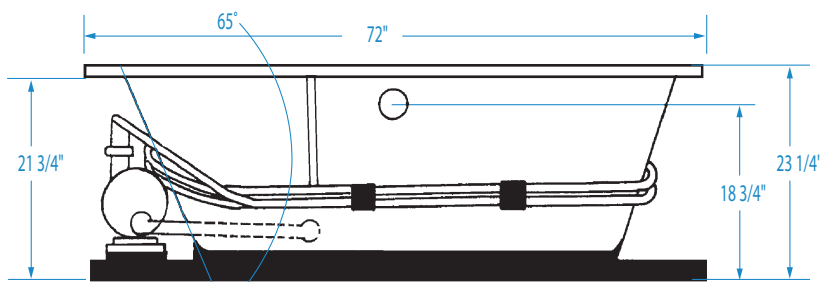
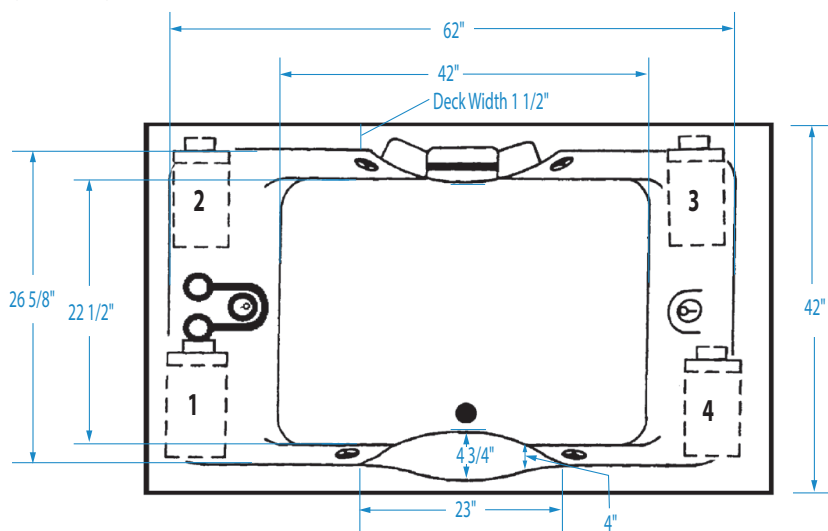


CLEARWATER

72 x 42 x 23 1/4 (1830 x 1070 x 590)
inches (mm)



Note: For Air-whirlpool, no alternate pump/blower location available.



Note: Tub Only units do not come standard with the Pre-leveled ABS Support Base.

FEATURES lbs (kg) Dimensional Tolerance ± 3/8". Dimensions needed for site preparation should be measured from the unit. Aquatic assumes no responsibility for preparatory work.

Type and Model #	Material	Jets	Pump	Air System	Blower	Heater	Controls	Drain	Pkg. Wt.
Whirlpool #A17242R	Acrylic	8	1.75 HP	—	—	1.5 kw Inline (optional)	Electronic	Center Front	247 (112)
Air-Whirlpool #A126LUX7242	Acrylic	8	1.75 HP	Channel	Variable speed	1.5 kw Inline	Electronic	Center Front	265 (120)

DIMENSIONS inches (mm)

Width Overall / Net	Depth Overall / Net	Height Overall / Net	Skirt Height
72 (1830)	42 (1070)	23 1/4 (590)	—

SUMP DATA inches (mm)

Capacity to Overflow gal (ltr)	Min. Operating Capacity gal (ltr)	WIDTH @ centerline		DEPTH @ centerline	
		Top	Bottom	Top	Bottom
90 (340)	71 (269)	62 (1575)	42 (1065)	26 5/8 (675)	22 1/2 (570)

PLUMBING DIMENSIONS inches (mm)

A	B	Drain Diameter / Clearance
6 1/2 (165)	13 1/2 (345)	2 (50) / 1/2 (10)

ELECTRICAL DATA

Component	Specification	Requirement
Pump	1.75 HP; 12 AMP; 120V	15 AMP; 120V, separate circuit; Class A GFCI
Optional Heater	1.5 kW; 12 AMP; 120V	15 AMP; 120V, separate circuit; Class A GFCI
Blower	1.0 HP; 9.5 AMP; 120V	15 AMP 1 pole, separate circuit, Class A GFCI

NOTES:

1) Where applicable, utilize cut-out templates packed with unit for deck cutouts.

2) 16 x 16 (405 x 405) minimum access required at pump/blower location(s).

NOTE:

1) This whirlpool must be hard wired to the breaker box. Three outlets will be supplied on the air-whirlpool.