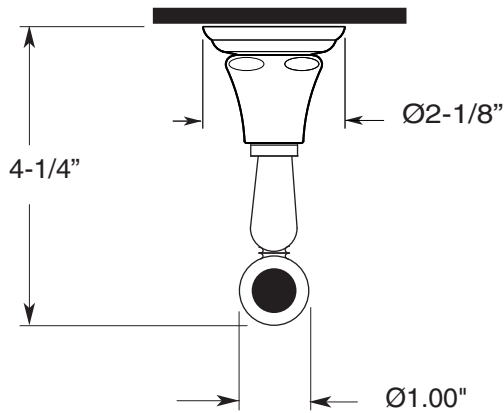


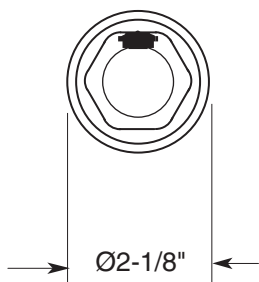
Series 35
Robe Hook
1.35RH00

FEATURES:

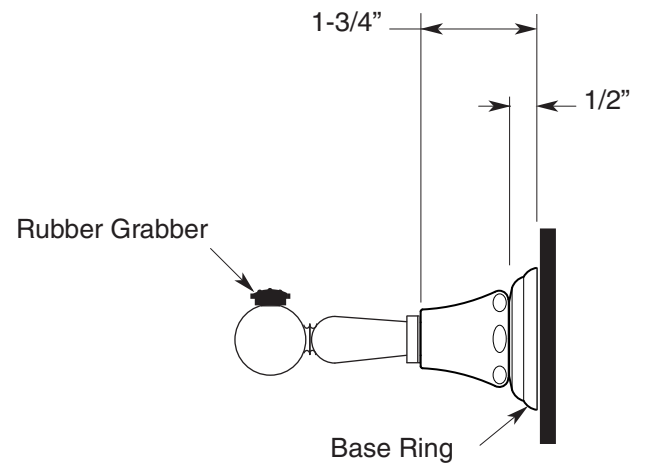
- All brass construction.
- Available in all Sigma finishes. Warranty varies according to finish selection.
- Mounting bracket and screws are supplied.



TOP VIEW



FRONT VIEW



SIDE VIEW

Note: Measurements are subject to change or cancellation. No responsibility is assumed for use of superseded or voided pages.